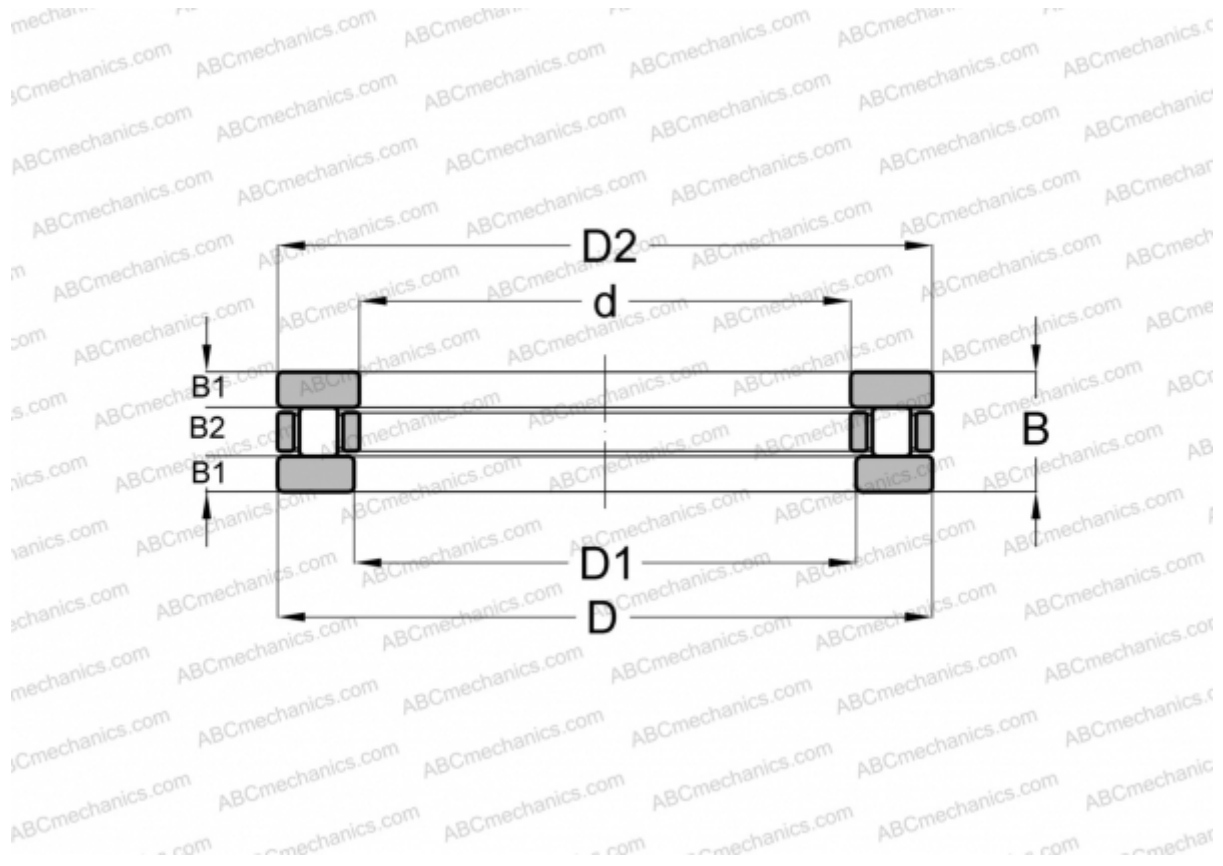


## 81200 ABC

Cylindrical roller thrust bearings

TYPE: Roller bearings, Thrust roller bearing, Cylindrical, Single direction



### Technical specification

#### DIMENSIONS, MM

d	10,000
D	26,000
D1	12,000
D2	26,000
B	11,000
B1	3,000
B2	5,000

**MANUFACTURER** [ABC](#)