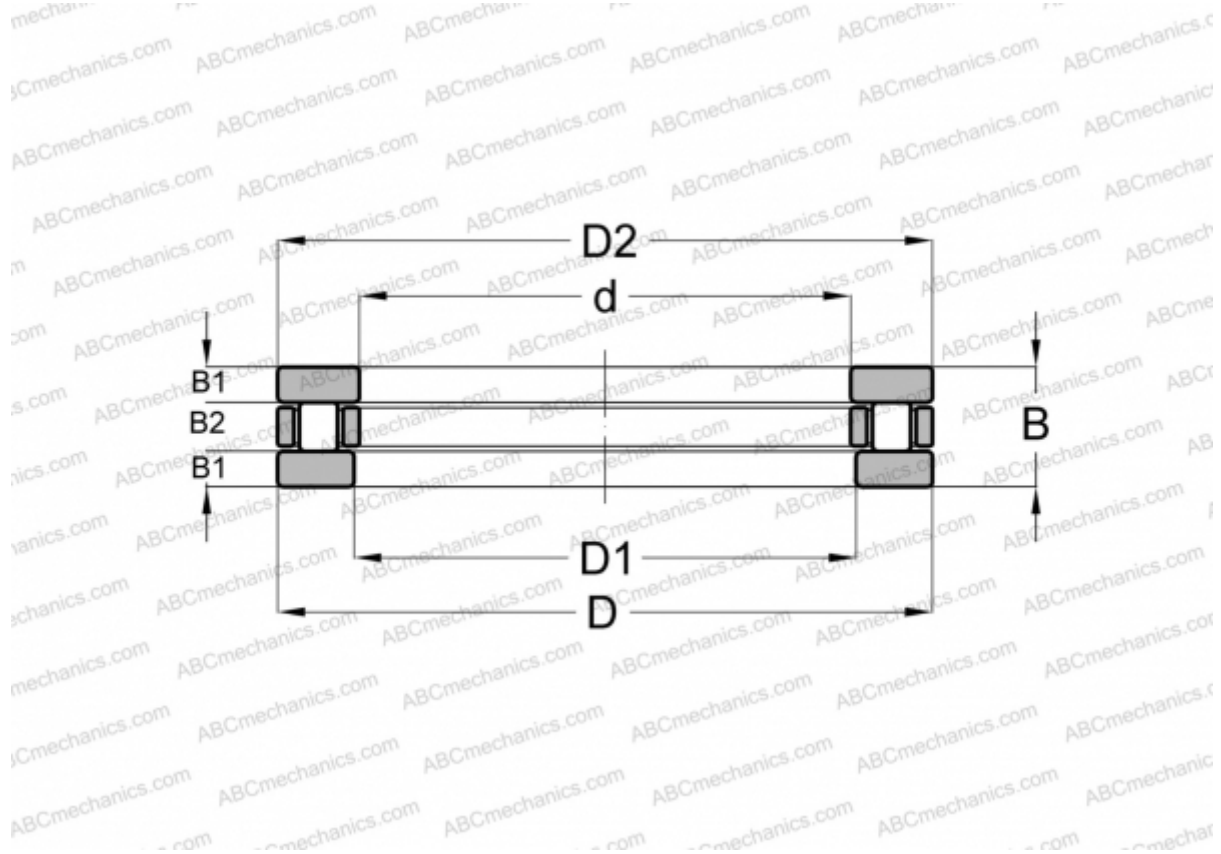


AZ 12269 IKO

Cylindrical roller thrust bearings

TYPE: Roller bearings, Thrust roller bearing, Cylindrical, Single direction



Technical specification

DIMENSIONS, MM

d	12,000
D	26,000
D1	12,040
B	9,000
B1	2,750
B2	3,500

MANUFACTURER [IKO](#)

INTERCHANGE

ABC [AZ 12269](#)

CALCULATION DATA

Basic dynamic load rating, C	10,400 kN
Basic static load rating, Co	23,900 kN

INCLUDED PRODUCTS

AZK 12263.5, GS 1226, WS 1226