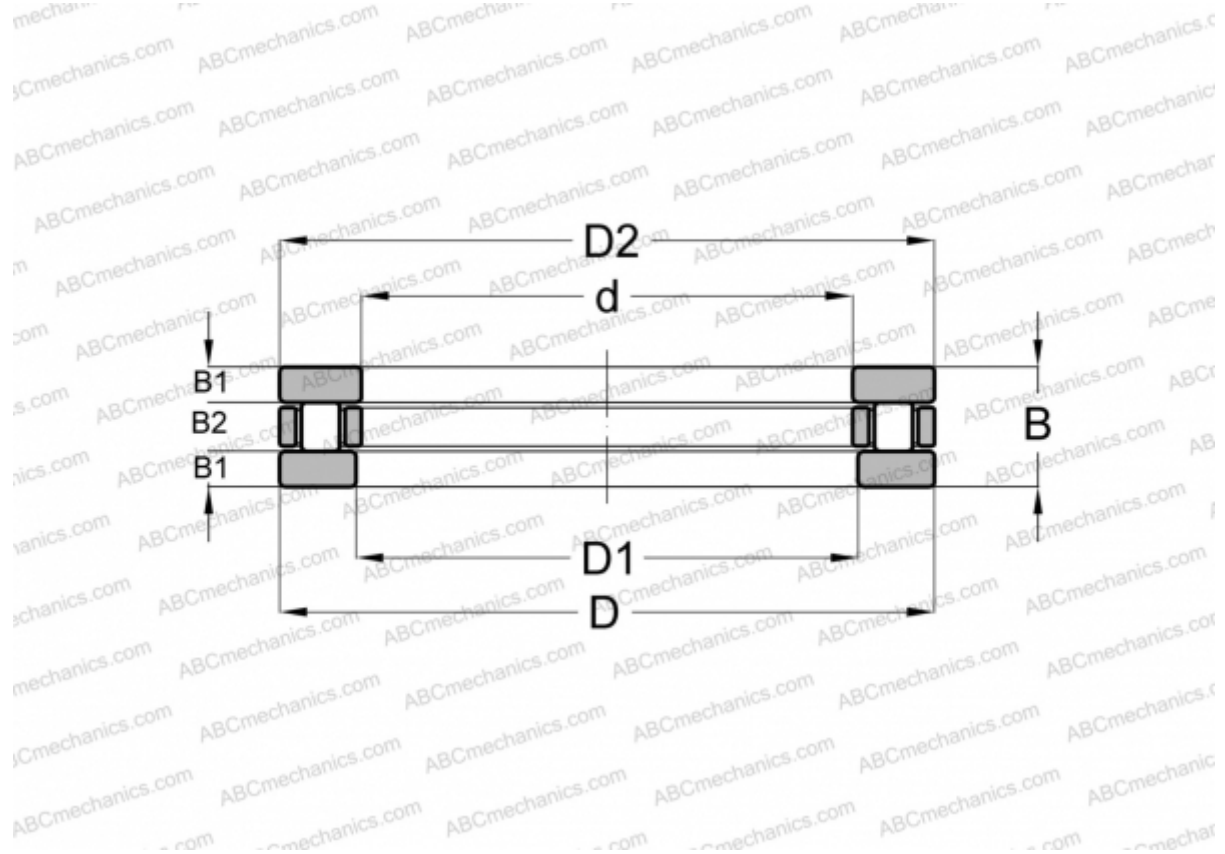


AZ 15289 IKO

Cylindrical roller thrust bearings

TYPE: Roller bearings, Thrust roller bearing, Cylindrical, Single direction



Technical specification

DIMENSIONS, MM

d	15,000
D	28,000
D1	15,040
B	9,000
B1	2,750
B2	3,500

CALCULATION DATA

Basic static load rating, Co	23,900 kN
------------------------------	-----------

MANUFACTURER

[IKO](#)

INTERCHANGE

ABC	81102
INA	81102-TV
SKF	81102 TN
KOYO	81102TVPB

CALCULATION DATA

Basic dynamic load rating, C	10,200 kN
------------------------------	-----------

INCLUDED PRODUCTS

AZK 15283.5, GS 1528, WS 1528