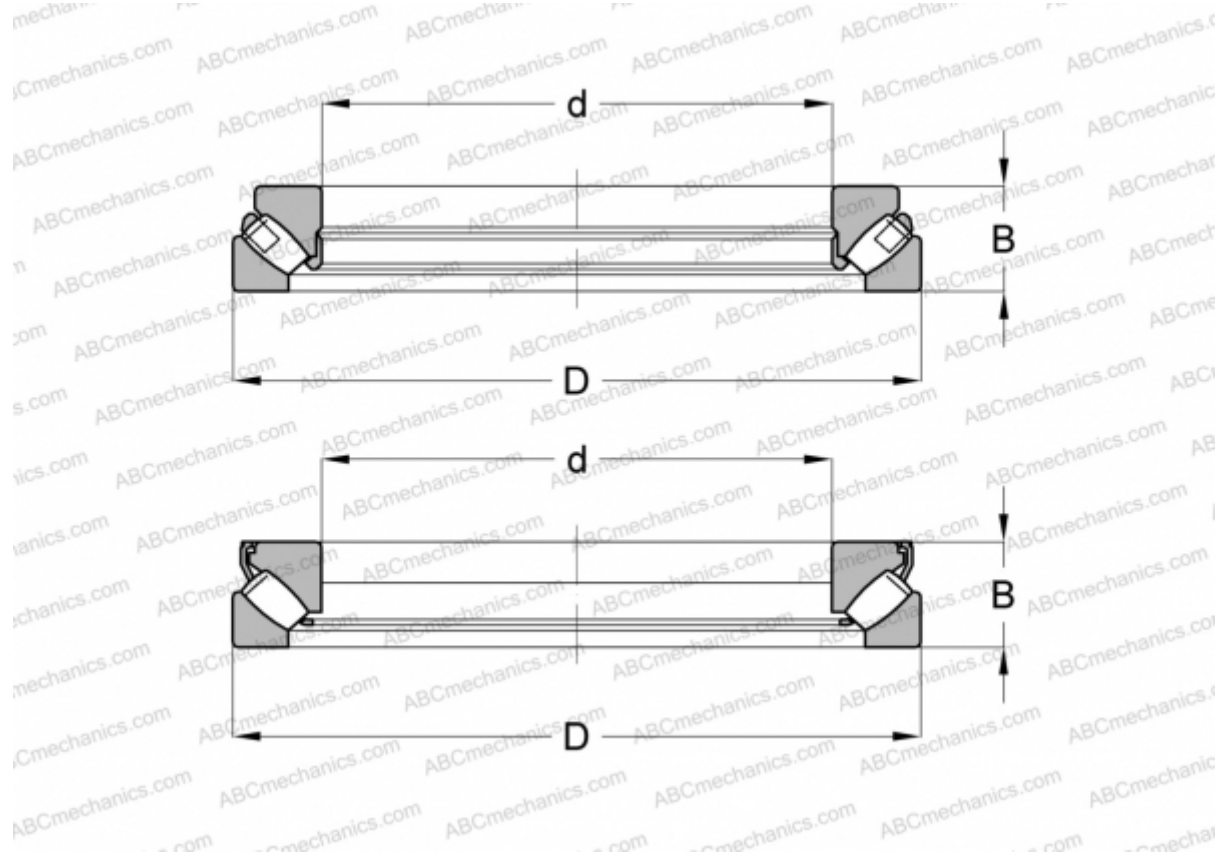


29413-E1 FAG

Spherical roller thrust bearings

TYPE: Roller bearings, Thrust roller bearing, Axial spherical



Technical specification

DIMENSIONS, MM

d	65,000
D	140,000
B	45,000

MANUFACTURER [FAG](#)

INTERCHANGE

ABC	29413E
SKF	29413 E

CALCULATION DATA

Basic dynamic load rating, C	495,000 kN
Basic static load rating, Co	1160,000 kN
Fatigue load limit, Pu	137,000 kN
Reference speed	2550 r/min
Limiting speed	5300 r/min