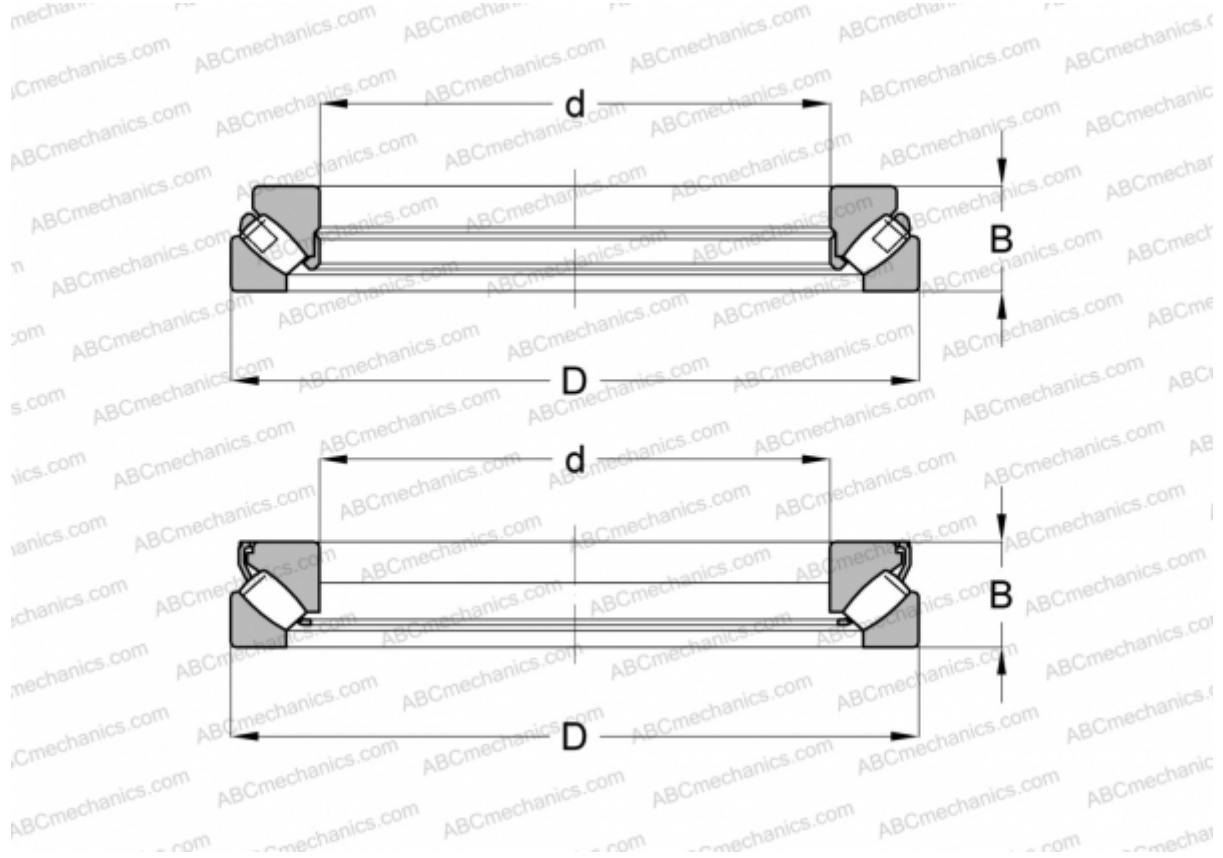


## 29415-E1 FAG

Spherical roller thrust bearings

TYPE: Roller bearings, Thrust roller bearing, Axial spherical



### Technical specification

#### DIMENSIONS, MM

d	75,000
D	160,000
B	51,000

**MANUFACTURER** [FAG](#)

#### INTERCHANGE

ABC	<a href="#">29415E</a>
SKF	<a href="#">29415 E</a>

#### CALCULATION DATA

Basic dynamic load rating, C	650,000 kN
Basic static load rating, Co	1540,000 kN
Fatigue load limit, Pu	176,000 kN
Reference speed	2230 r/min
Limiting speed	4800 r/min