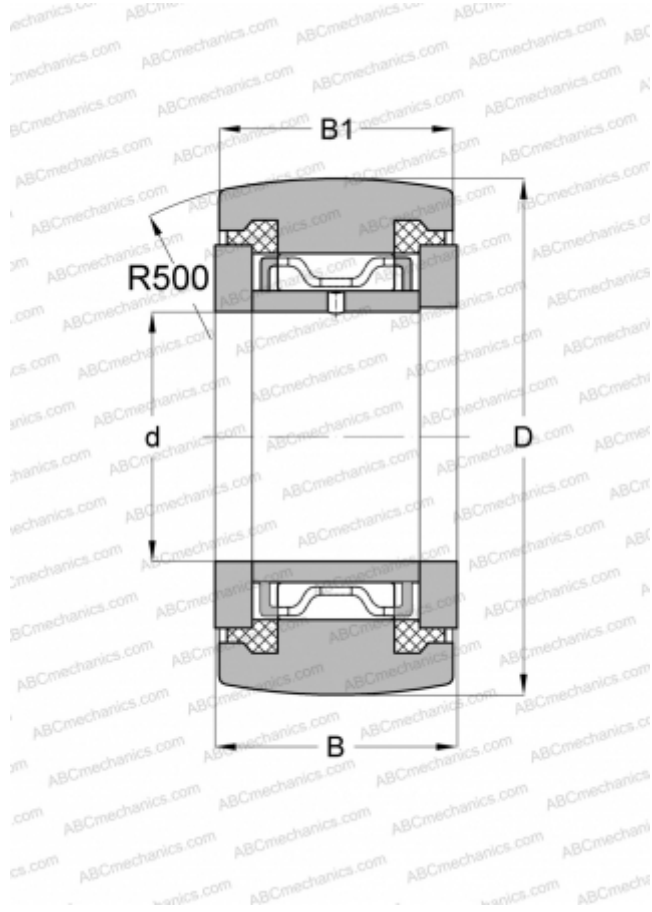


## NATR5-PP INA

Yoke type track roller

TYPE: Roller bearings, Yoke type track rollers, With axial guidance, Sealing rings on both sides



### Technical specification

#### DIMENSIONS, MM

d	5,000
D	16,000
B	12,000
B1	11,000

#### MANUFACTURER

[INA](#)

#### INTERCHANGE

ABC	<a href="#">NATR 5 PP</a>
SKF	<a href="#">NATR 5 PPA</a>
IKO	<a href="#">NART 5 UUR</a>
McGill	<a href="#">MCYRR-5-S</a>

#### CALCULATION DATA

Basic dynamic load rating, C	3,150 kN
Basic static load rating, Co	3,350 kN
Fatigue load limit, Pu	0,450 kN
Limiting speed	14000 r/min