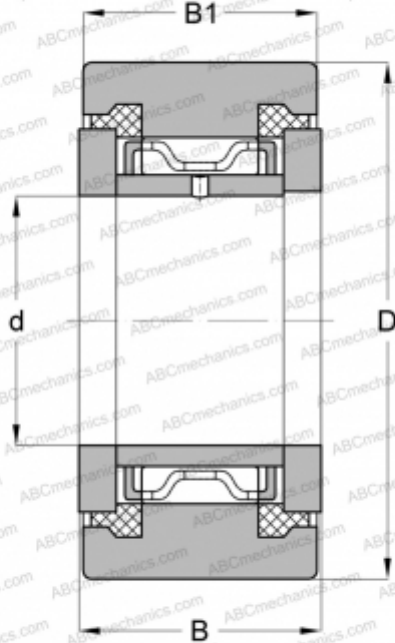


NATR5-X-PP INA

Yoke type track roller

TYPE: Roller bearings, Yoke type track rollers, With axial guidance, Sealing rings on both sides, cylindrical outer ring



Technical specification

DIMENSIONS, MM

d	5,000
D	16,000
B	12,000
B1	11,000

MANUFACTURER

[INA](#)

INTERCHANGE

ABC	NATR 5 PPX
McGill	MCYRR 5 SX
SKF	NATR 5 PPX

CALCULATION DATA

Basic dynamic load rating, C	3,150 kN
Basic static load rating, Co	3,350 kN
Fatigue load limit, Pu	0,450 kN
Limiting speed	14000 r/min