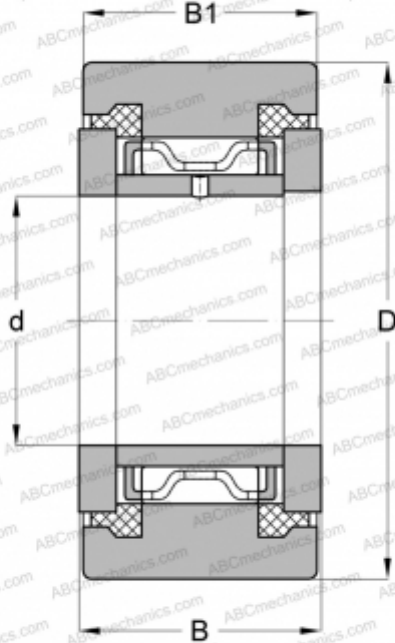


## NATR8-X-PP INA

Yoke type track roller

TYPE: Roller bearings, Yoke type track rollers, With axial guidance, Sealing rings on both sides, cylindrical outer ring



### Technical specification

#### DIMENSIONS, MM

d	8,000
D	24,000
B	15,000
B1	14,000

#### MANUFACTURER

[INA](#)

#### INTERCHANGE

ABC	<a href="#">NATR 8 PPX</a>
McGill	<a href="#">MCYRR 8 SX</a>
SKF	<a href="#">NATR 8 PPX</a>

#### CALCULATION DATA

Basic dynamic load rating, C	5,500 kN
Basic static load rating, Co	6,600 kN
Fatigue load limit, Pu	0,930 kN
Limiting speed	7500 r/min