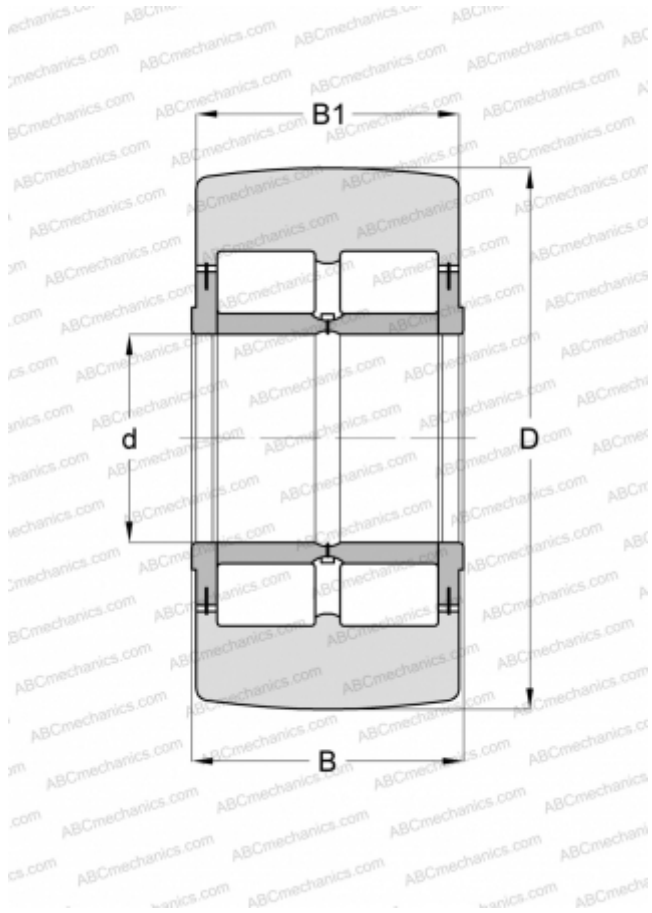


## NNTR60X150X75-2ZL INA

Yoke type track roller

TYPE: Roller bearings, Yoke type track rollers, With axial guidance, Full complement roller set, central rib, sealing shields with lamellar ring on both sides



### Technical specification

#### DIMENSIONS, MM

d	60,000
D	150,000
B	75,000
B1	73,000

#### MANUFACTURER

[INA](#)

#### INTERCHANGE

ABC	<a href="#">NNTR 60X150X75 2ZL</a>
SKF	<a href="#">NNTR 60x150x75.2ZL</a>

#### CALCULATION DATA

Basic dynamic load rating, C	255,000 kN
Basic static load rating, Co	365,000 kN
Fatigue load limit, Pu	53,000 kN
Limiting speed	800 r/min