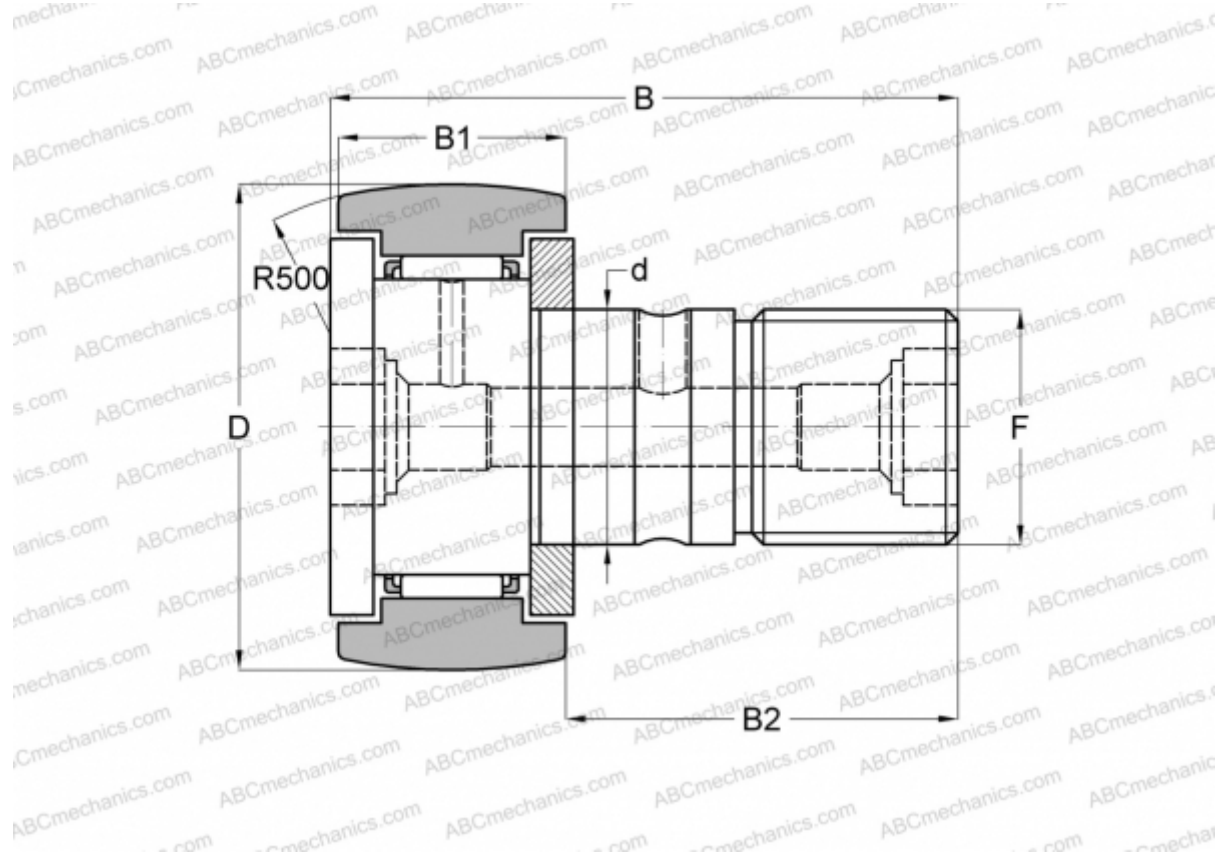


## KR19 INA

Cam followers

TYPE: Roller bearings, Stud type track rollers, With axial guidance, gap seals on both side



### Technical specification

#### DIMENSIONS, MM

d	8,000
D	19,000
B	32,000
B1	12,200
B2	20,000
F	M8(X1.25)

#### CALCULATION DATA

Basic dynamic load rating, C	3,500 kN
Basic static load rating, Co	4,000 kN
Fatigue load limit, Pu	0,540 kN
Limiting speed	11000 r/min

#### MANUFACTURER

[INA](#)

#### INTERCHANGE

ABC	<a href="#">KR 19</a>
IKO	<a href="#">CF 8 R</a>
McGill	<a href="#">MCFR-19</a>
FAG	<a href="#">KR 19</a>
SKF	<a href="#">KR 19</a>