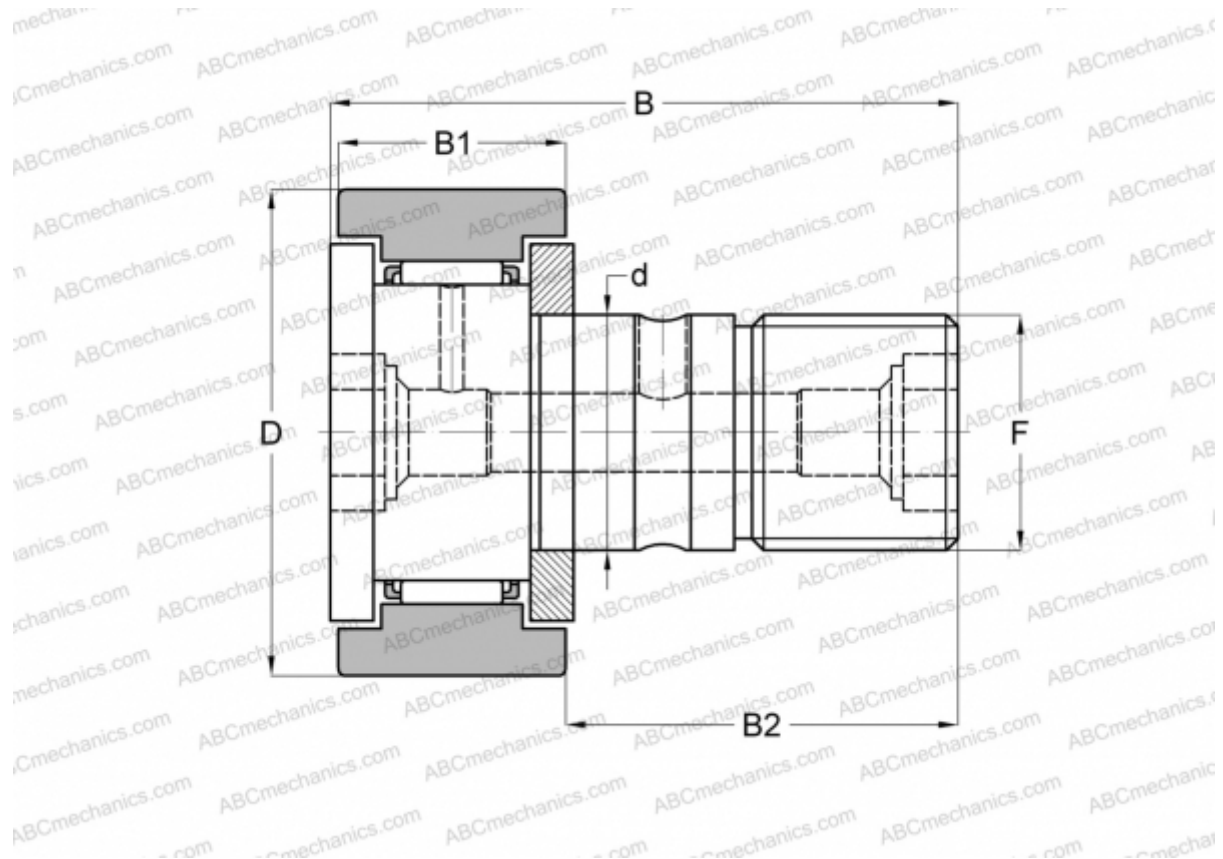


## KR16X INA

Cam followers

TYPE: Roller bearings, Stud type track rollers, With axial guidance, gap seals on both side, cylindrical outer ring



### Technical specification

#### DIMENSIONS, MM

d	6,000
D	16,000
B	28,000
B1	12,200
B2	16,000
F	M6(X1)

#### CALCULATION DATA

Basic dynamic load rating, C	3,150 kN
Basic static load rating, Co	3,350 kN
Fatigue load limit, Pu	0,450 kN
Limiting speed	14000 r/min

#### MANUFACTURER

[INA](#)

#### INTERCHANGE

ABC	<a href="#">KR 16 X</a>
IKO	<a href="#">CF 6</a>
McGill	<a href="#">MCFR-16-X</a>
FAG	<a href="#">KR 16 DZ</a>
SKF	<a href="#">KR 16 X</a>