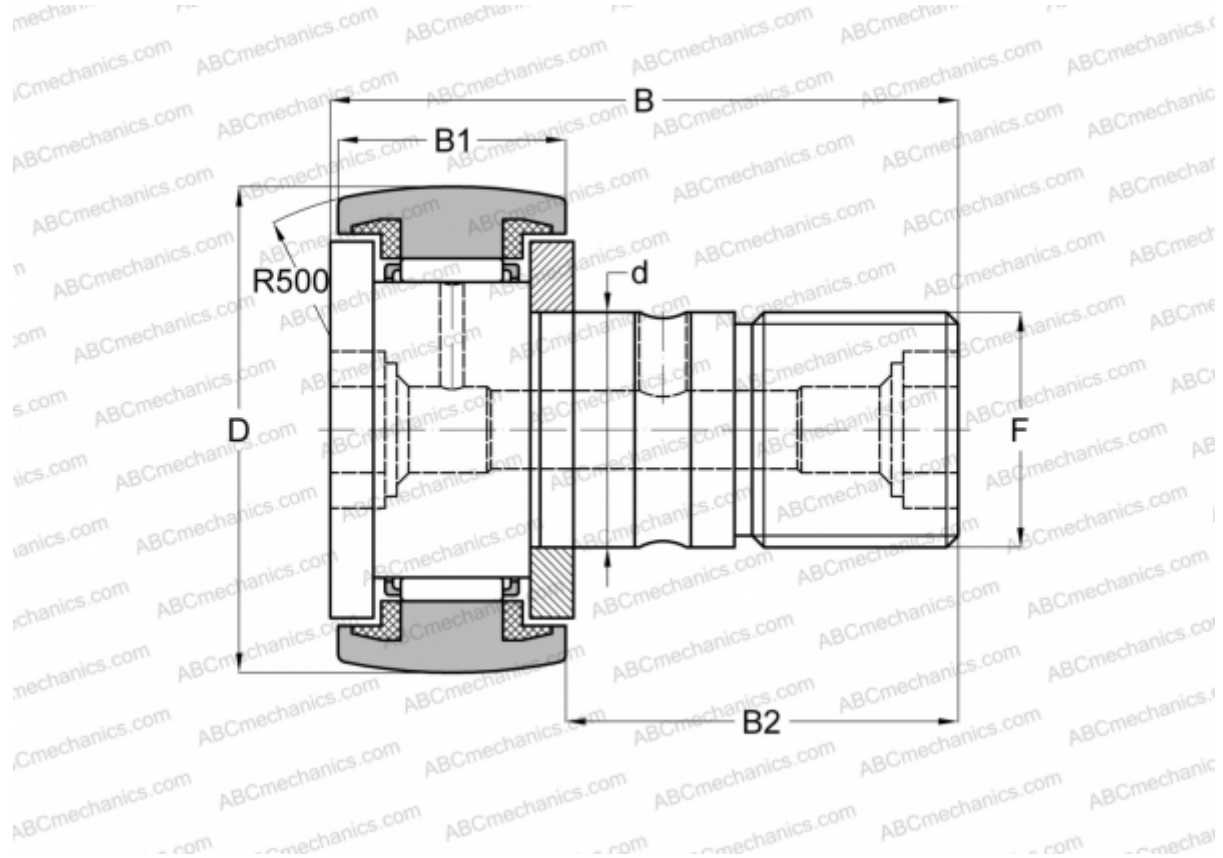


KR16-PP INA

Cam followers

TYPE: Roller bearings, Stud type track rollers, With axial guidance, sealing rings on both sides



Technical specification

DIMENSIONS, MM

d	6,000
D	16,000
B	28,000
B1	12,200
B2	16,000
F	M6(X1)

CALCULATION DATA

Basic dynamic load rating, C	3,150 kN
Basic static load rating, Co	3,350 kN
Fatigue load limit, Pu	0,450 kN
Limiting speed	14000 r/min

REPLACES

KR16-SK-PP

MANUFACTURER

[INA](#)

INTERCHANGE

ABC	KR 16 PP
FAG	KR 16 C2RS/ NAKD 16
SKF	KR 16 PPA
IKO	CF 6 UUR
McGill	MCFR-16-S