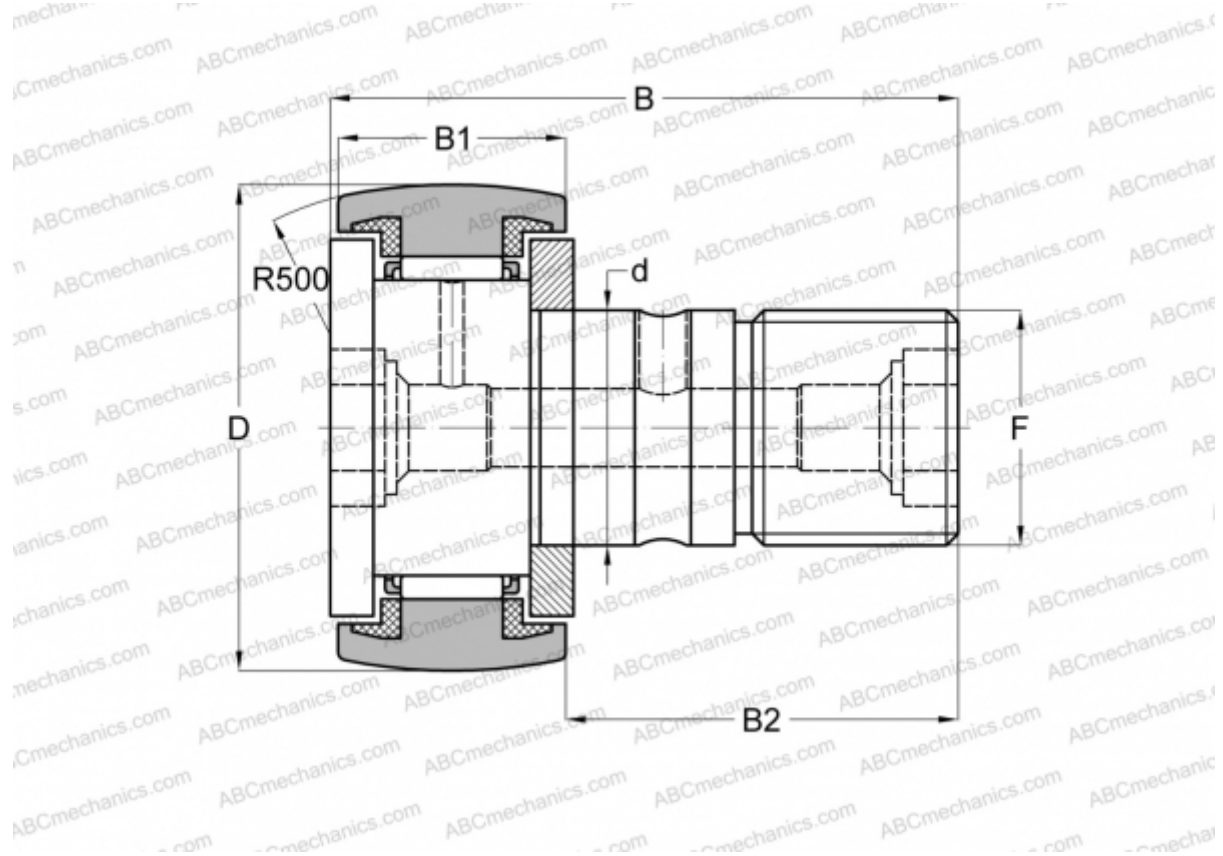


KR19-PP INA

Cam followers

TYPE: Roller bearings, Stud type track rollers, With axial guidance, sealing rings on both sides



Technical specification

DIMENSIONS, MM

d	8,000
D	19,000
B	32,000
B1	12,200
B2	20,000
F	M8(X1.25)

CALCULATION DATA

Basic dynamic load rating, C	3,500 kN
Basic static load rating, Co	4,000 kN
Fatigue load limit, Pu	0,540 kN
Limiting speed	11000 r/min

REPLACES

KR19-SK-PP

MANUFACTURER

[INA](#)

INTERCHANGE

ABC	KR 19 PP
FAG	KR 19 C2RS/ NAKD 19
SKF	KR 19 PPA
IKO	CF 8 UUR
McGill	MCFR-19-S