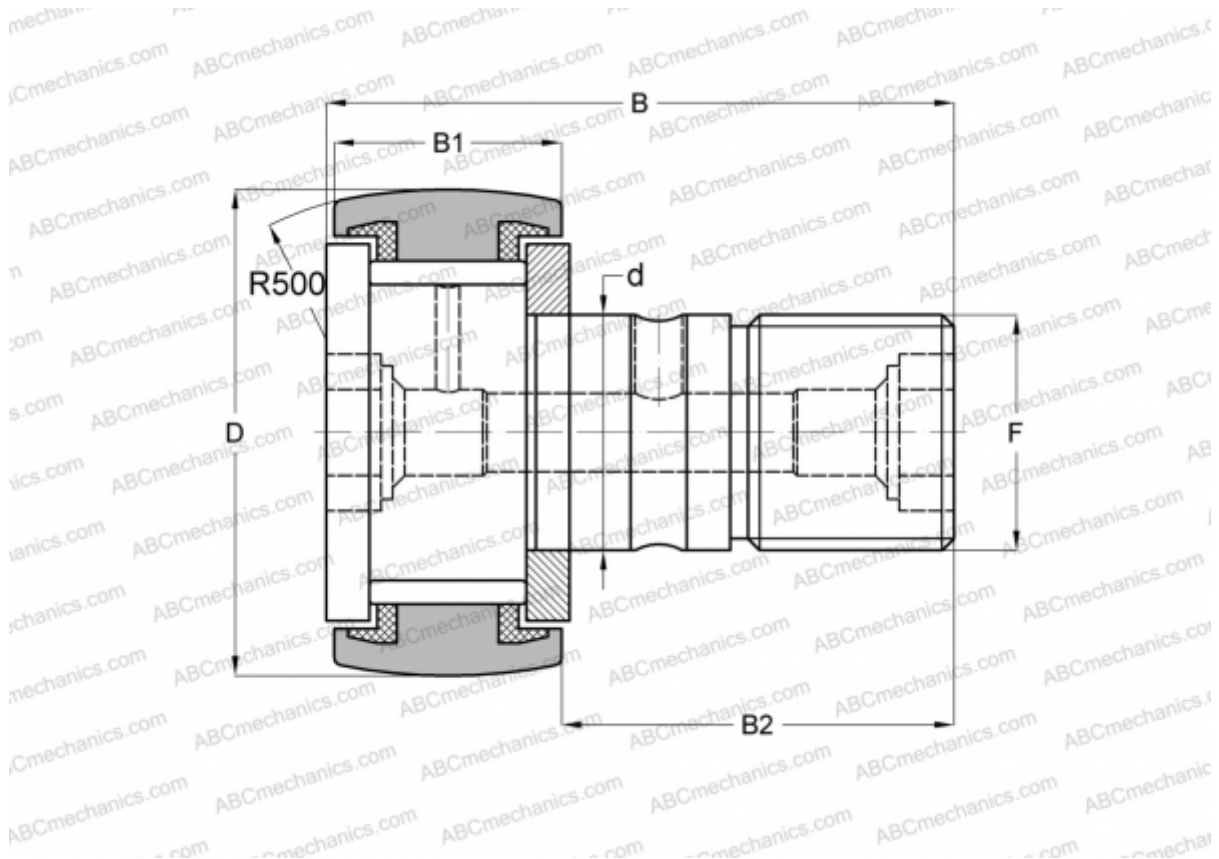


KRV16-PP INA

Cam followers

TYPE: Roller bearings, Stud type track rollers, With axial guidance, full complement bearing, sealing rings on both sides



Technical specification

DIMENSIONS, MM

d	6,000
D	16,000
B	28,000
B1	12,200
B2	16,000
F	M6(X1)

CALCULATION DATA

Basic static load rating, Co	6,600 kN
Fatigue load limit, Pu	0,950 kN
Limiting speed	3800 r/min

MANUFACTURER

[INA](#)

INTERCHANGE

ABC	KRV 16 PP
SKF	KRV 16 PPA
IKO	CF 6 VUUR
McGill	MCF-16-S

CALCULATION DATA

Basic dynamic load rating, C	4,900 kN
------------------------------	----------