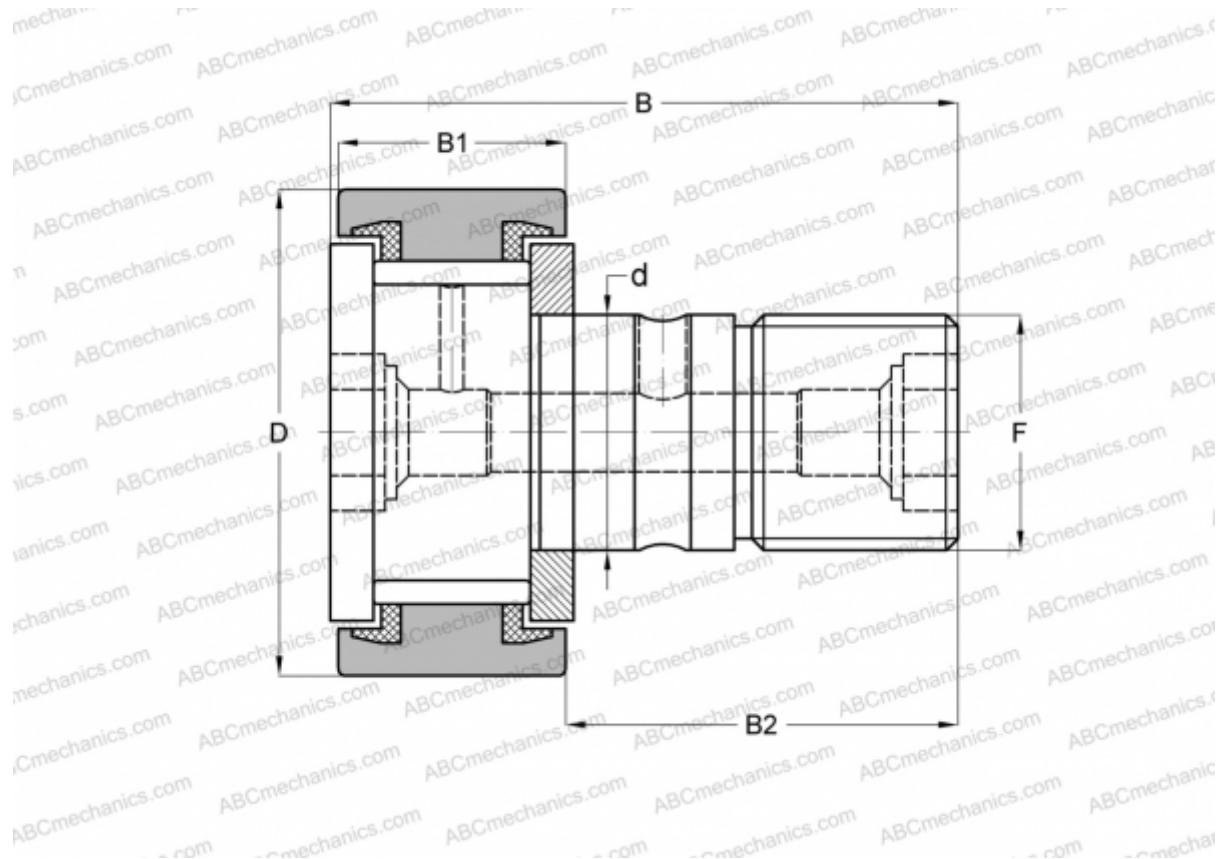


## KRV16-PPX INA

Cam followers

TYPE: Roller bearings, Stud type track rollers, With axial guidance, full complement bearing, sealing rings on both sides, cylindrical outer ring



### Technical specification

#### DIMENSIONS, MM

d	6,000
D	16,000
B	28,000
B1	12,200
B2	16,000
F	M6(X1)

#### CALCULATION DATA

Basic static load rating, Co	6,600 kN
Fatigue load limit, Pu	0,950 kN
Limiting speed	3800 r/min

#### MANUFACTURER

[INA](#)

#### INTERCHANGE

ABC	<a href="#">KRV 16 PPX</a>
SKF	<a href="#">KRV 16 PPXA</a>
IKO	<a href="#">CF 6 VUU</a>
McGill	<a href="#">MCF-16-SX</a>

#### CALCULATION DATA

Basic dynamic load rating, C	4,900 kN
------------------------------	----------