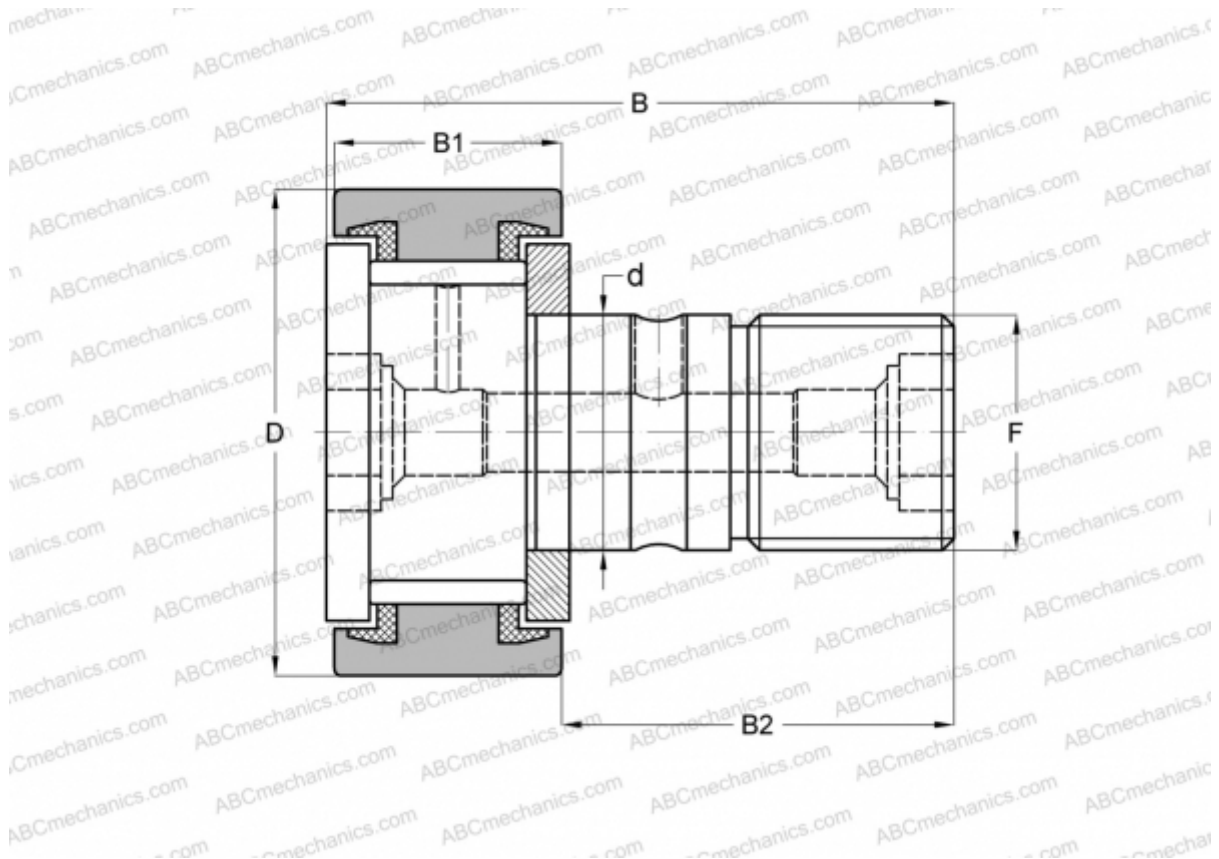


KRV19-PPX INA

Cam followers

TYPE: Roller bearings, Stud type track rollers, With axial guidance, full complement bearing, sealing rings on both sides, cylindrical outer ring



Technical specification

DIMENSIONS, MM

d	8,000
D	19,000
B	32,000
B1	12,200
B2	20,000
F	M8(X1.25)

CALCULATION DATA

Basic static load rating, Co	8,000 kN
Fatigue load limit, Pu	1,170 kN
Limiting speed	3100 r/min

MANUFACTURER

[INA](#)

INTERCHANGE

ABC	KRV 19 PPX
SKF	KRV 19 PPXA
IKO	CF 8 VUU
McGill	MCF-19-SX

CALCULATION DATA

Basic dynamic load rating, C	5,400 kN
------------------------------	----------