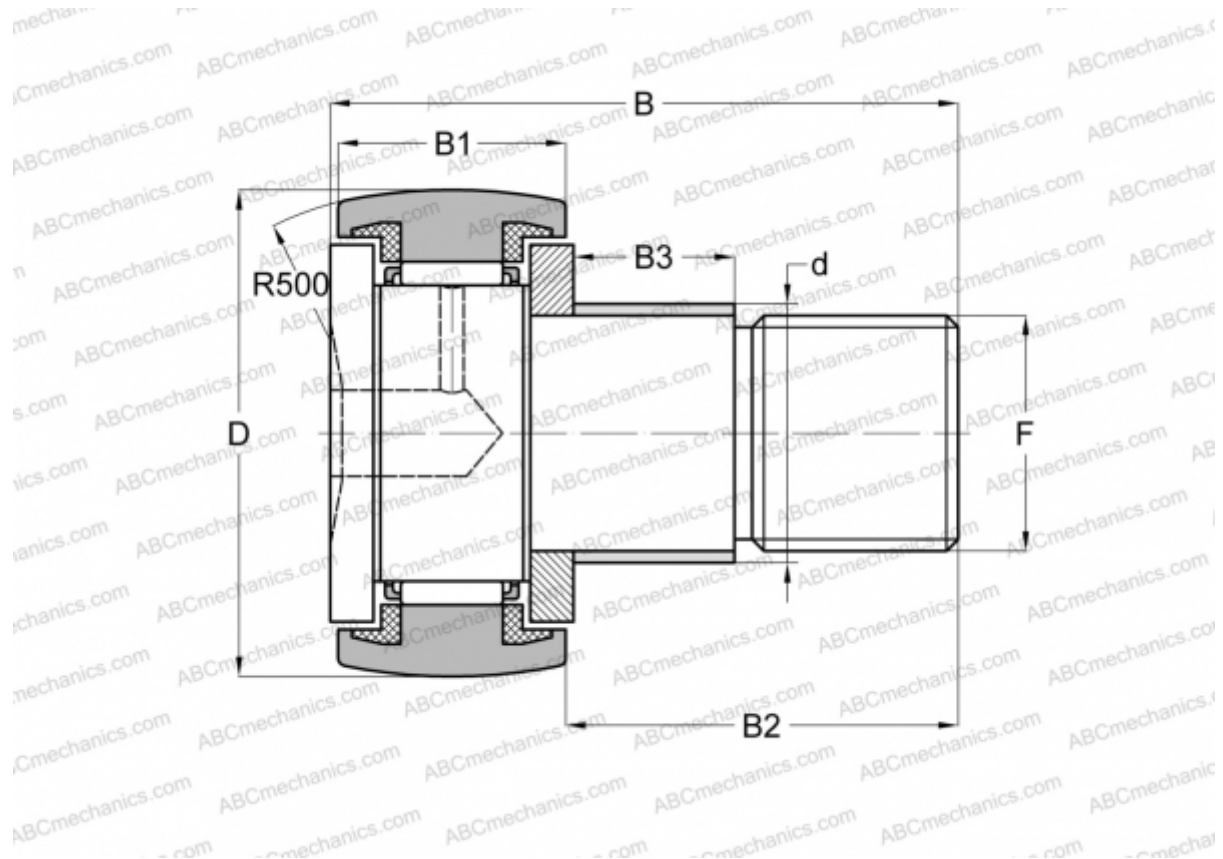


KRE19-PP INA

Cam followers

TYPE: Roller bearings, Stud type track rollers, With axial guidance, with eccentric collar, sealing rings on both sides



Technical specification

DIMENSIONS, MM

d	8,000
D	19,000
B	32,000
B1	12,200
B2	20,000
F	M8(X1.25)

CALCULATION DATA

Fatigue load limit, Pu	0,540 kN
Limiting speed	11000 r/min

MANUFACTURER

[INA](#)

INTERCHANGE

ABC	KRE 19 PP
SKF	KRE 19 PPA
IKO	CFE 8 UUR

CALCULATION DATA

Basic dynamic load rating, C	3,500 kN
Basic static load rating, Co	4,000 kN