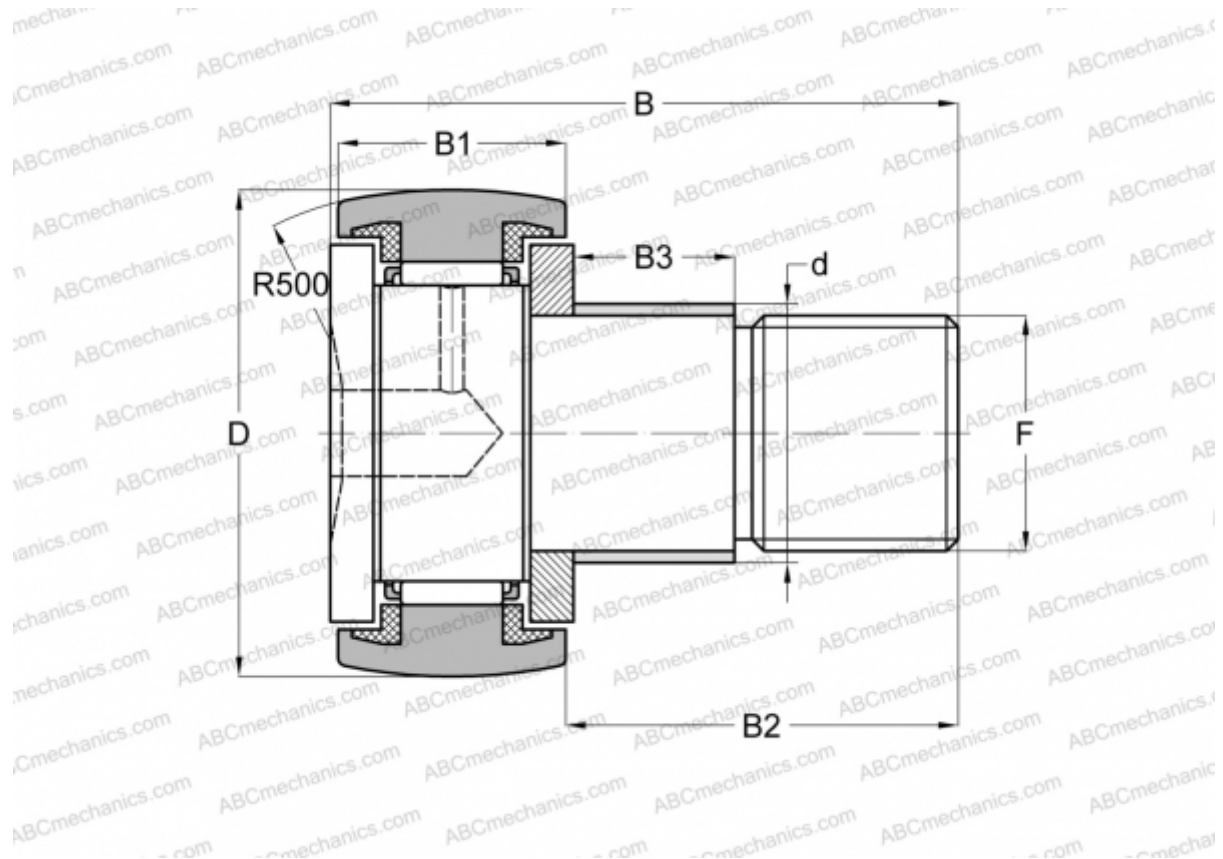


KRE22-PP INA

Cam followers

TYPE: Roller bearings, Stud type track rollers, With axial guidance, with eccentric collar, sealing rings on both sides



Technical specification

DIMENSIONS, MM

d	10,000
D	22,000
B	36,000
B1	13,200
B2	23,000
F	M10X1

CALCULATION DATA

Fatigue load limit, Pu	0,730 kN
Limiting speed	8000 r/min

MANUFACTURER

[INA](#)

INTERCHANGE

ABC	KRE 22 PP
SKF	KRE 22 PPA
IKO	CFE 10 UURM

CALCULATION DATA

Basic dynamic load rating, C	4,550 kN
Basic static load rating, Co	5,300 kN