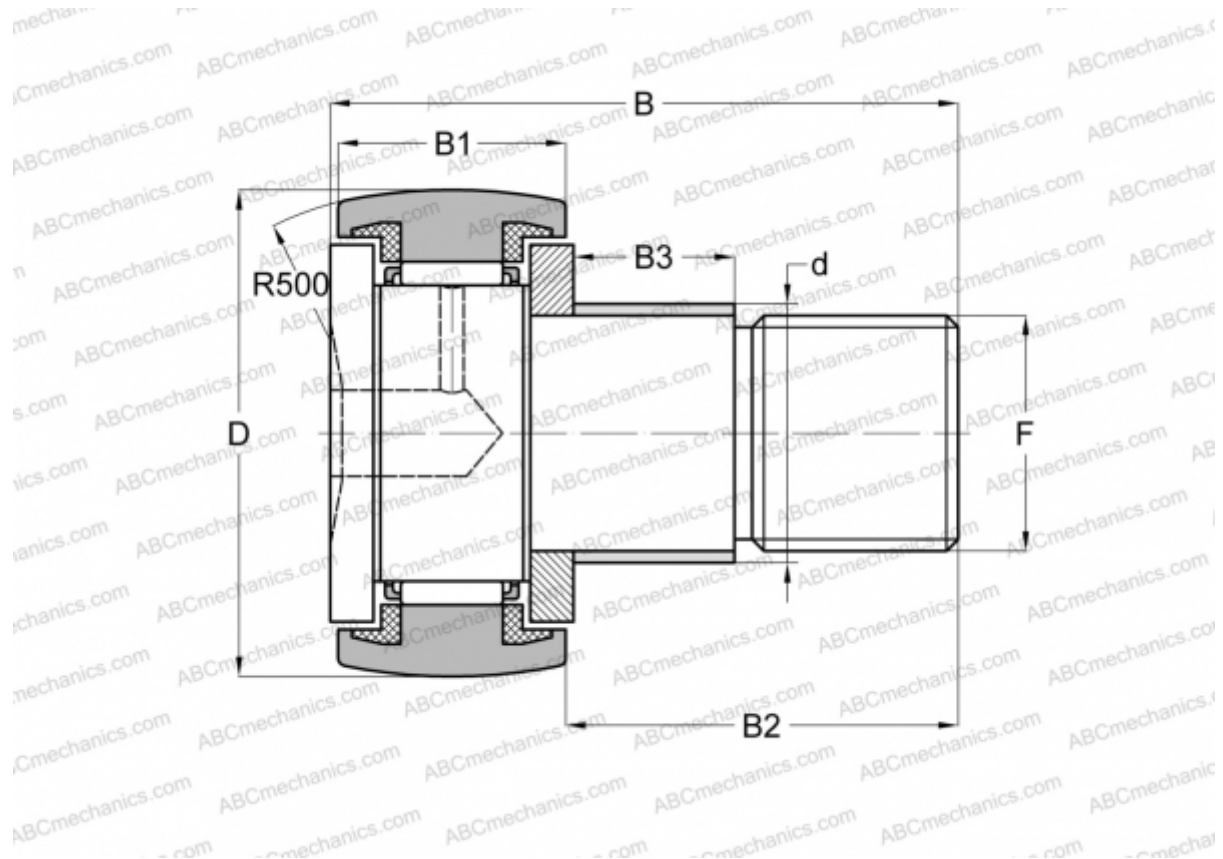


KRE26-PP INA

Cam followers

TYPE: Roller bearings, Stud type track rollers, With axial guidance, with eccentric collar, sealing rings on both sides



Technical specification

DIMENSIONS, MM

| | |
|----|--------|
| d | 10,000 |
| D | 26,000 |
| B | 36,000 |
| B1 | 13,200 |
| B2 | 23,000 |
| F | M10X1 |

CALCULATION DATA

| | |
|------------------------|------------|
| Fatigue load limit, Pu | 0,840 kN |
| Limiting speed | 8000 r/min |

MANUFACTURER

[INA](#)

INTERCHANGE

| | |
|-----|-------------------------------|
| ABC | KRE 26 PP |
| SKF | KRE 26 PPA |
| IKO | CFE 10-1 UURM |

CALCULATION DATA

| | |
|------------------------------|----------|
| Basic dynamic load rating, C | 5,100 kN |
| Basic static load rating, Co | 6,400 kN |