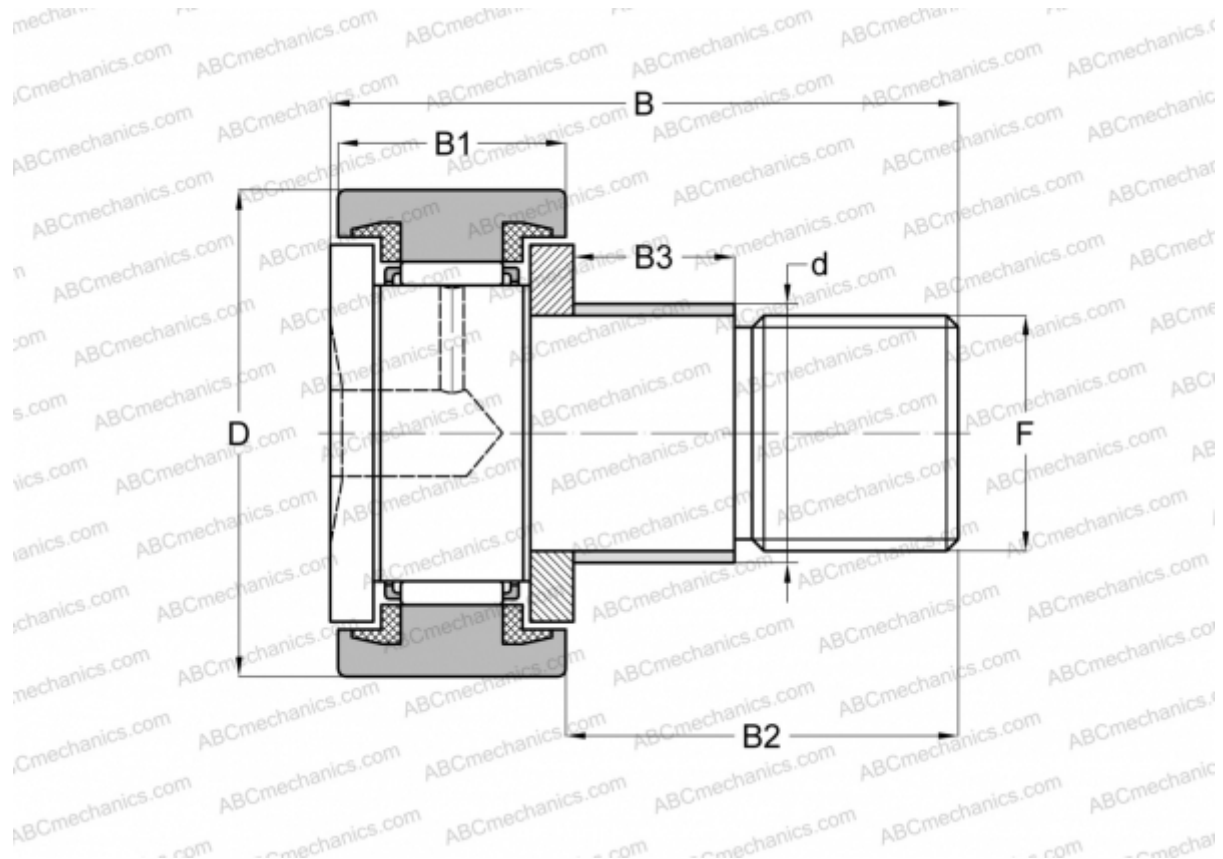


## KRE22-PPX INA

Cam followers

TYPE: Roller bearings, Stud type track rollers, With axial guidance, with eccentric collar, sealing rings on both sides, cylindrical outer ring



### Technical specification

#### DIMENSIONS, MM

d	10,000
D	22,000
B	36,000
B1	13,200
B2	23,000
F	M10X1

#### CALCULATION DATA

Fatigue load limit, Pu	0,730 kN
Limiting speed	8000 r/min

#### MANUFACTURER

[INA](#)

#### INTERCHANGE

ABC	<a href="#">KRE 22 PPX</a>
SKF	<a href="#">KRE 22 PPX</a>
IKO	<a href="#">CFE 10 UUM</a>

#### CALCULATION DATA

Basic dynamic load rating, C	4,550 kN
Basic static load rating, Co	5,300 kN