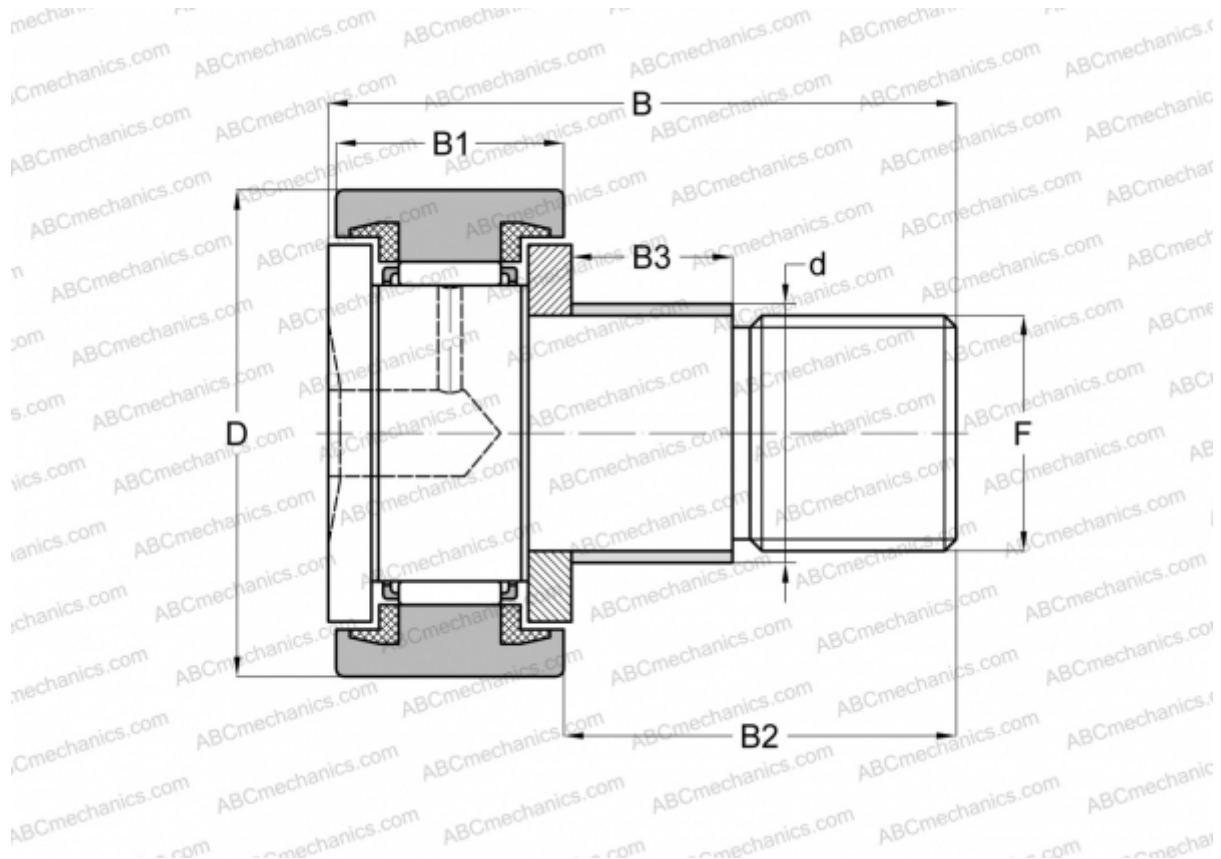


KRE26-PPX INA

Cam followers

TYPE: Roller bearings, Stud type track rollers, With axial guidance, with eccentric collar, sealing rings on both sides, cylindrical outer ring



Technical specification

DIMENSIONS, MM

d	10,000
D	26,000
B	36,000
B1	13,200
B2	23,000
F	M10X1

CALCULATION DATA

Fatigue load limit, Pu	0,840 kN
Limiting speed	8000 r/min

MANUFACTURER

[INA](#)

INTERCHANGE

ABC	KRE 26 PPX
SKF	KRE 26 PPX
IKO	CFE 10-1 UUM

CALCULATION DATA

Basic dynamic load rating, C	5,100 kN
Basic static load rating, Co	6,400 kN