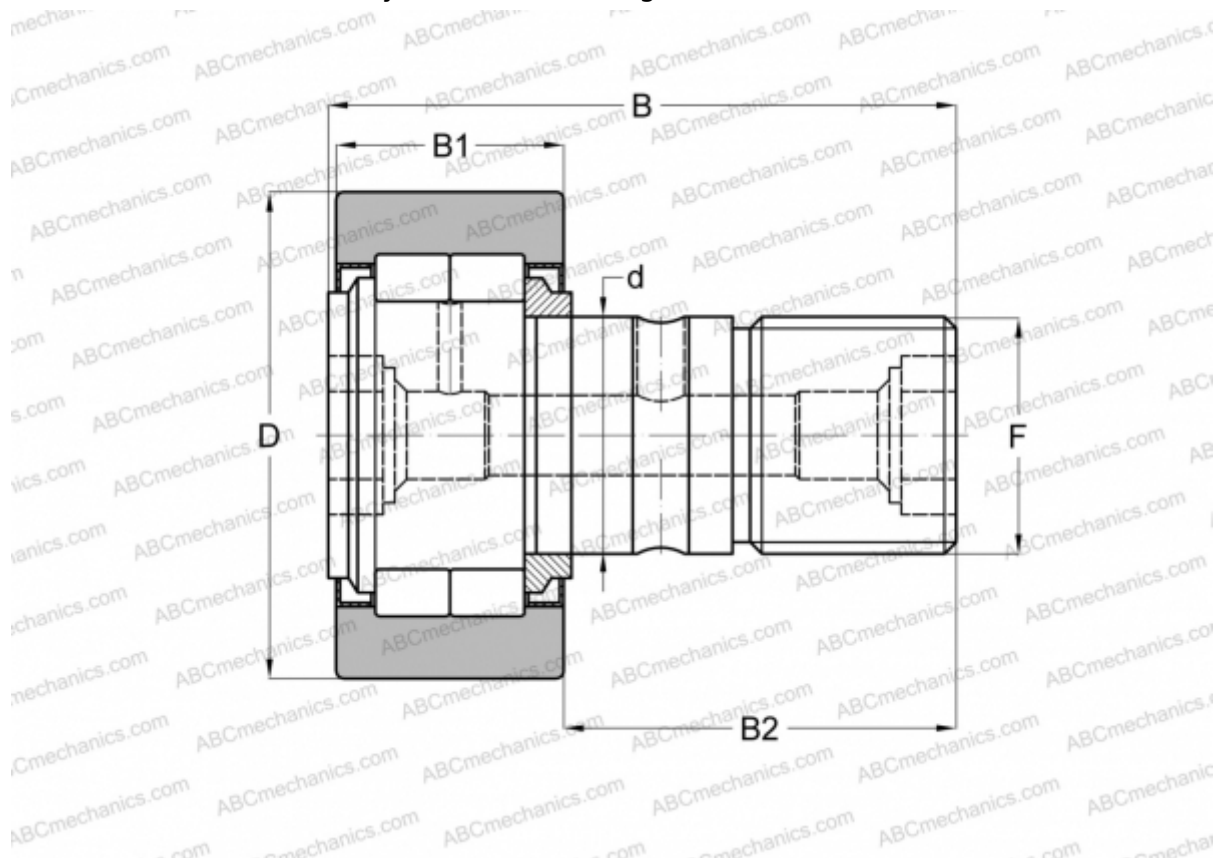


NUKR35-X INA

Cam followers

TYPE: Roller bearings, Stud type track rollers, With axial guidance, full complement cylindrical roller set, labyrinth seals on both sides, cylindrical outer ring



Technical specification

DIMENSIONS, MM

d	16,000
D	35,000
B	52,000
B1	19,000
B2	32,000
F	M16X1,5

CALCULATION DATA

Basic dynamic load rating, C	15,300 kN
Basic static load rating, Co	18,700 kN
Fatigue load limit, Pu	2,430 kN
Limiting speed	6500 r/min

MANUFACTURER

[INA](#)

INTERCHANGE

ABC	NUKR 35 X
FAG	NUKR 35 C DZ(NUKD35 AA DZ)
IKO	NUCF 16
McGill	MCFD 35 SX
SKF	NUKR 35 XA