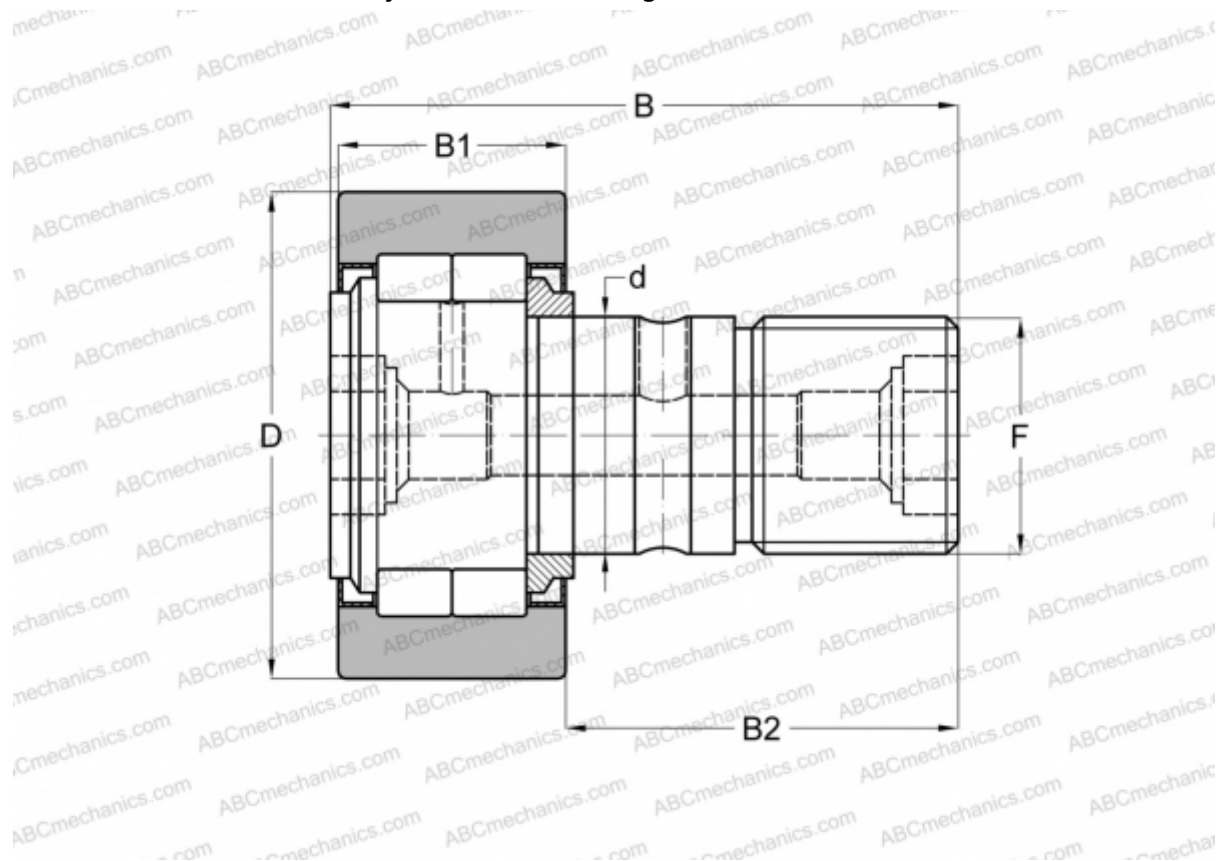


## NUKR40-X INA

Cam followers

TYPE: Roller bearings, Stud type track rollers, With axial guidance, full complement cylindrical roller set, labyrinth seals on both sides, cylindrical outer ring



### Technical specification

#### DIMENSIONS, MM

d	18,000
D	40,000
B	58,000
B1	21,000
B2	36,000
F	M18X1,5

#### CALCULATION DATA

Basic dynamic load rating, C	18,700 kN
Basic static load rating, Co	24,900 kN
Fatigue load limit, Pu	3,150 kN
Limiting speed	5500 r/min

#### MANUFACTURER

[INA](#)

#### INTERCHANGE

ABC	<a href="#">NUKR 40 X</a>
FAG	<a href="#">NUKR 40 C DZ(NUKD40 DZ)</a>
IKO	<a href="#">NUCF 18</a>
McGill	<a href="#">MCFD 40 SX</a>
SKF	<a href="#">NUKR 40 XA</a>