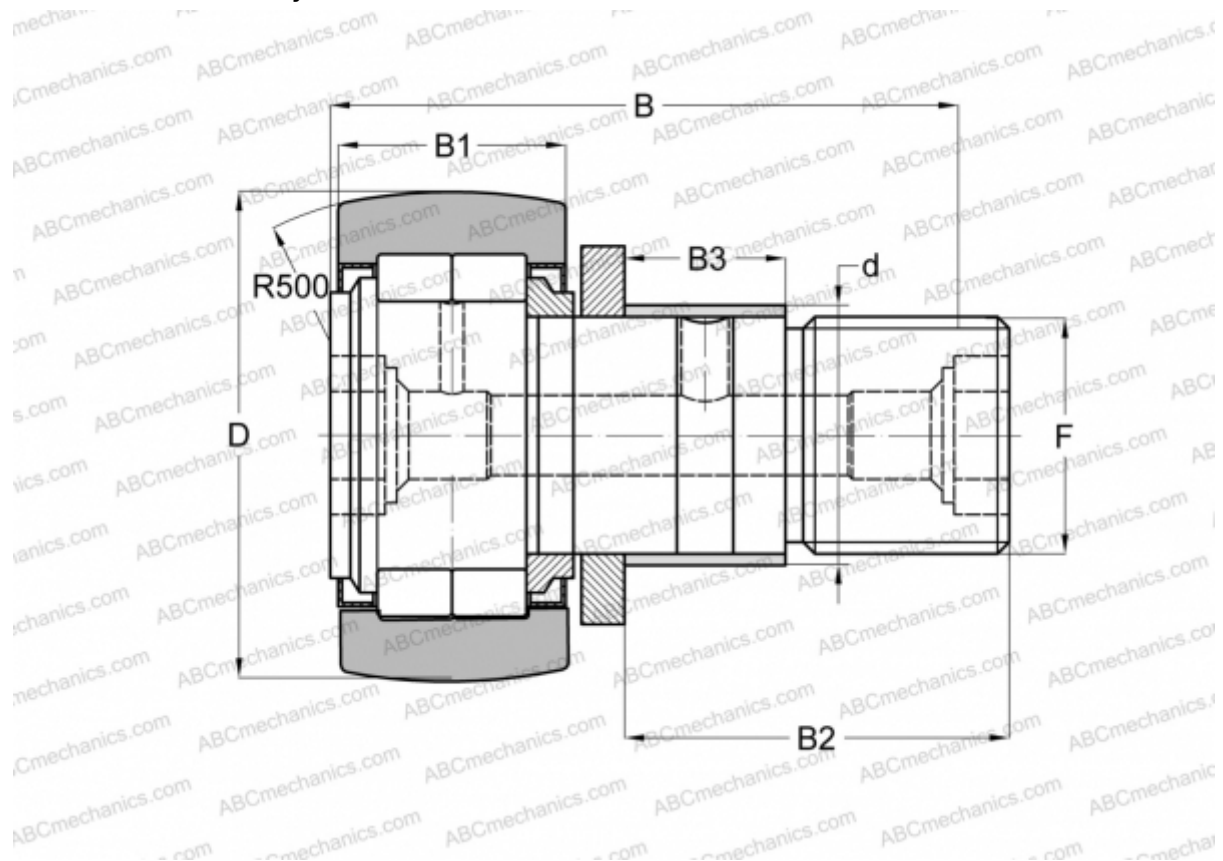


NUKRE35 INA

Cam followers

TYPE: Roller bearings, Stud type track rollers, With axial guidance, full complement cylindrical roller set, with eccentric collar, labyrinth seals on both sides



Technical specification

DIMENSIONS, MM

d	16,000
D	35,000
B	52,000
B1	22,000
B2	29,000
F	M16X1,5

CALCULATION DATA

Fatigue load limit, Pu	2,430 kN
Limiting speed	6500 r/min

MANUFACTURER

[INA](#)

INTERCHANGE

ABC	NUKRE 35
FAG	NUKRE 35 C
SKF	NUKRE 35 A

CALCULATION DATA

Basic dynamic load rating, C	15,300 kN
Basic static load rating, Co	18,700 kN