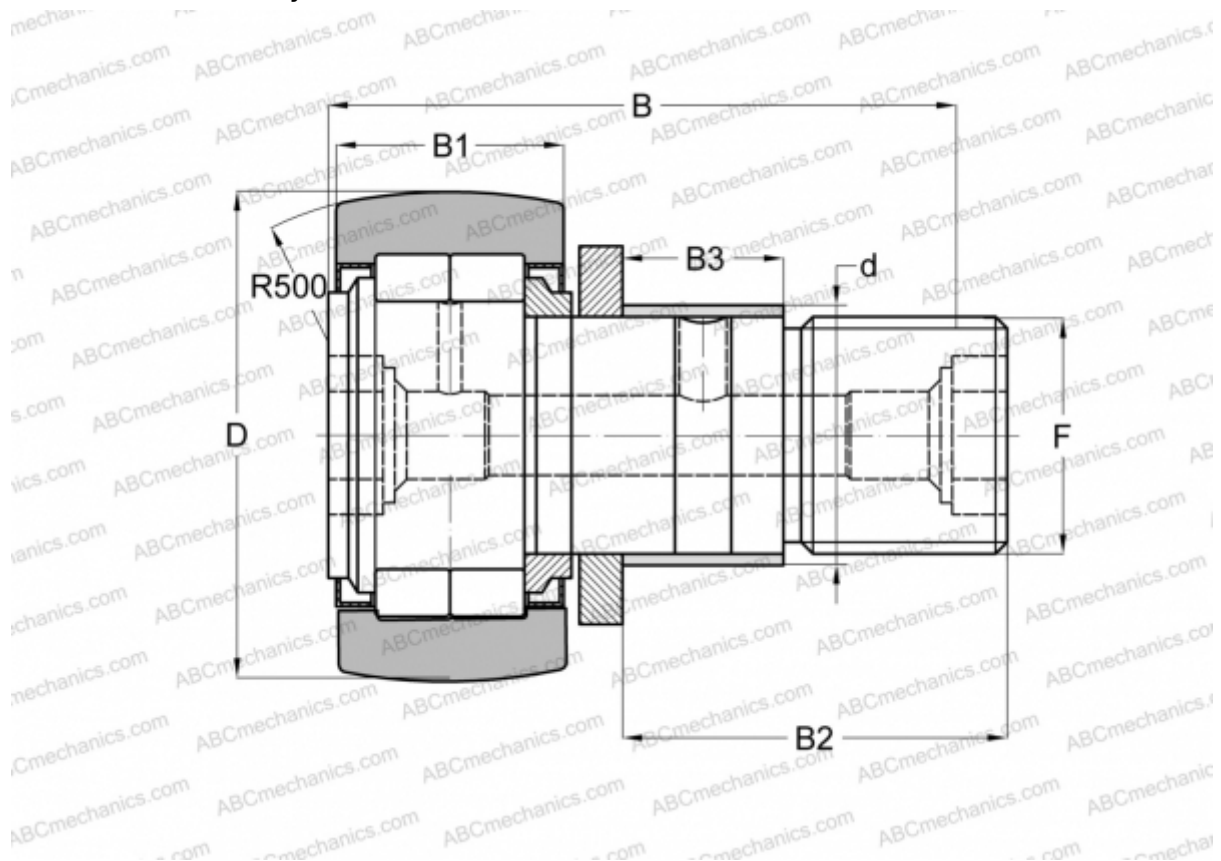


## NUKRE40 INA

Cam followers

TYPE: Roller bearings, Stud type track rollers, With axial guidance, full complement cylindrical roller set, with eccentric collar, labyrinth seals on both sides



### Technical specification

#### DIMENSIONS, MM

d	18,000
D	40,000
B	58,000
B1	24,000
B2	33,000
F	M18X1,5

#### CALCULATION DATA

Fatigue load limit, Pu	3,150 kN
Limiting speed	5500 r/min

#### MANUFACTURER

[INA](#)

#### INTERCHANGE

ABC	<a href="#">NUKRE 40</a>
FAG	<a href="#">NUKRE 40 C</a>
SKF	<a href="#">NUKRE 40 A</a>

#### CALCULATION DATA

Basic dynamic load rating, C	18,700 kN
Basic static load rating, Co	24,900 kN