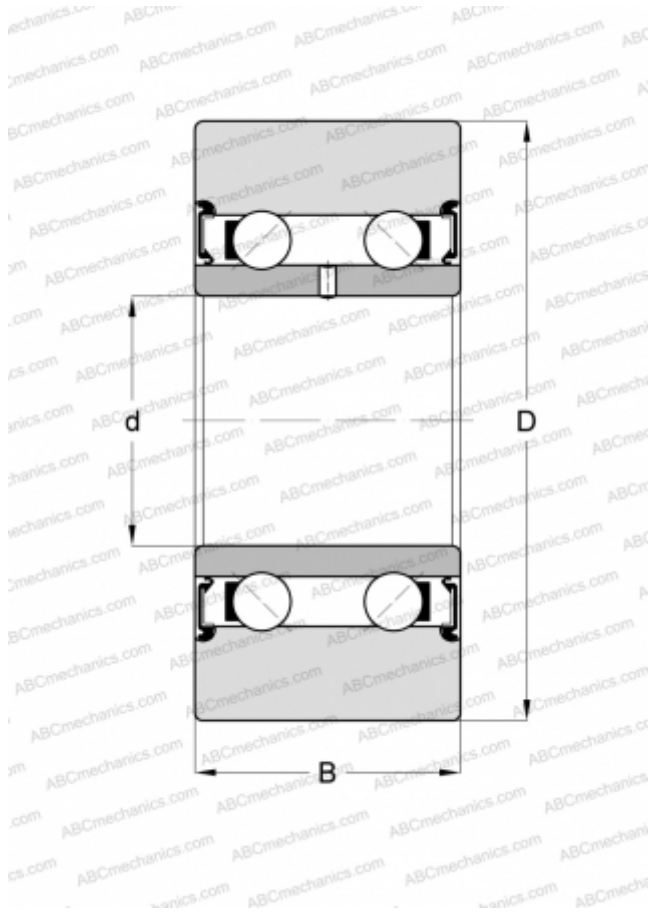


LR50/8-X-2RSR INA

Track rollers

TYPE: Ball bearings, Track rollers, Double row, Without profile, Sealed on both sides, cylindrical outer ring



Technical specification

DIMENSIONS, MM

d	8,000
D	24,000
B	11,000

MANUFACTURER

[INA](#)

INTERCHANGE

ABC	LR50/8-X-2RS
-----	------------------------------

CALCULATION DATA

Basic dynamic load rating, C	4,300 kN
Basic static load rating, Co	2,390 kN
Fatigue load limit, Pu	0,119 kN
Limiting speed	10000 r/min