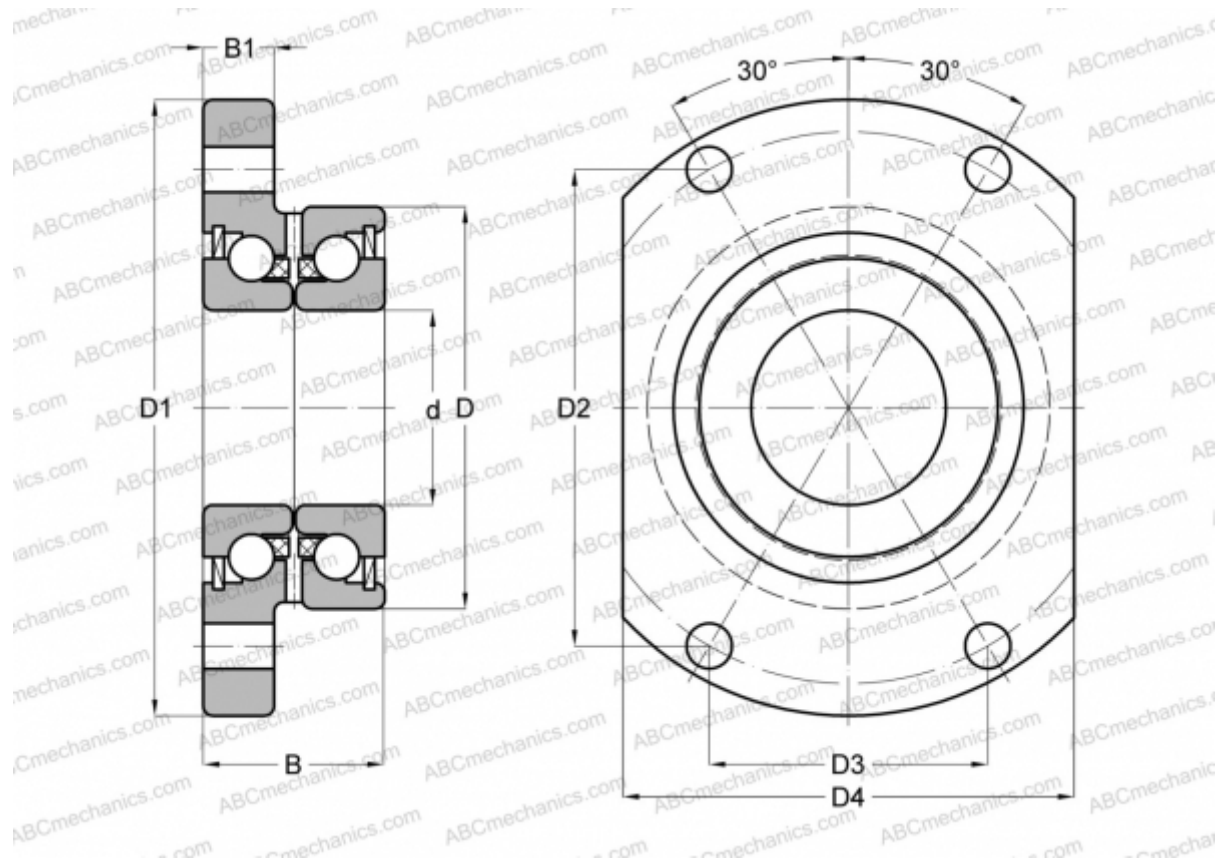


## ZKLFA1050-2Z INA

Axial angular contact ball bearing

TYPE: Ball bearings, Axial angular contact ball bearing, Unit, Series ZKLFA, double direction, with flange, gap seals on both side



### Technical specification

#### DIMENSIONS, MM

d	10,000
D	32,000
D1	50,000
D2	34,500
D3	20,000
D4	35,000
B	20,000
B1	8,000

#### MANUFACTURER

[INA](#)

#### CALCULATION DATA

Basic dynamic load rating, C	13,400 kN
Basic static load rating, Co	18,800 kN
Limiting speed	8600 r/min

#### ASSOCIATED PRODUCTS

ZM10