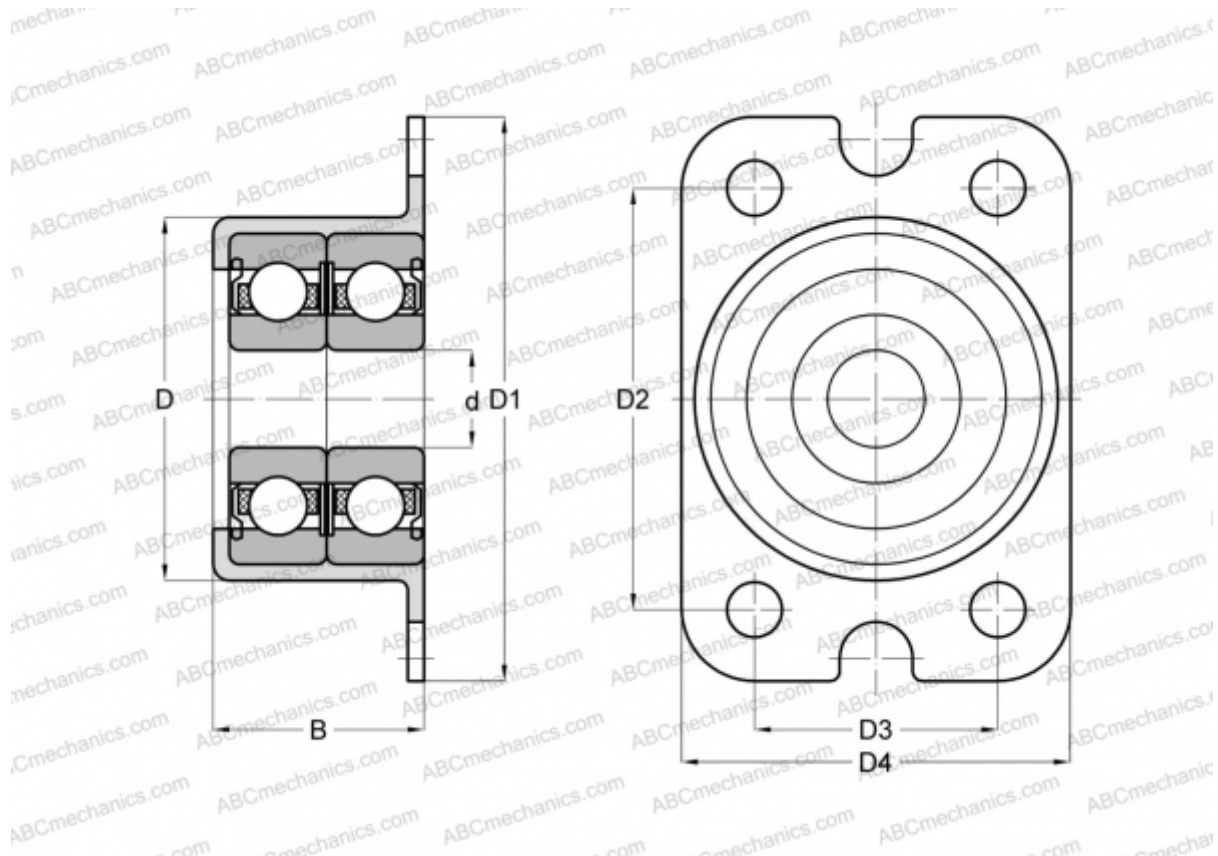


## ZKLR0624-2Z INA

Axial angular contact ball bearing

TYPE: Ball bearings, Axial angular contact ball bearing, Unit, Series ZKLR, double direction, with flange, gap seals on both side



### Technical specification

#### DIMENSIONS, MM

$d$	6,000
$D$	20,500
$D1$	35,000
$D2$	26,000
$D3$	15,000
$D4$	24,000
$B$	13,000

**MANUFACTURER** [INA](#)

#### CALCULATION DATA

Basic dynamic load rating, $C$	3,850 kN
Basic static load rating, $C_0$	1,870 kN
Limiting speed	7300 r/min

#### ASSOCIATED PRODUCTS

ZM06