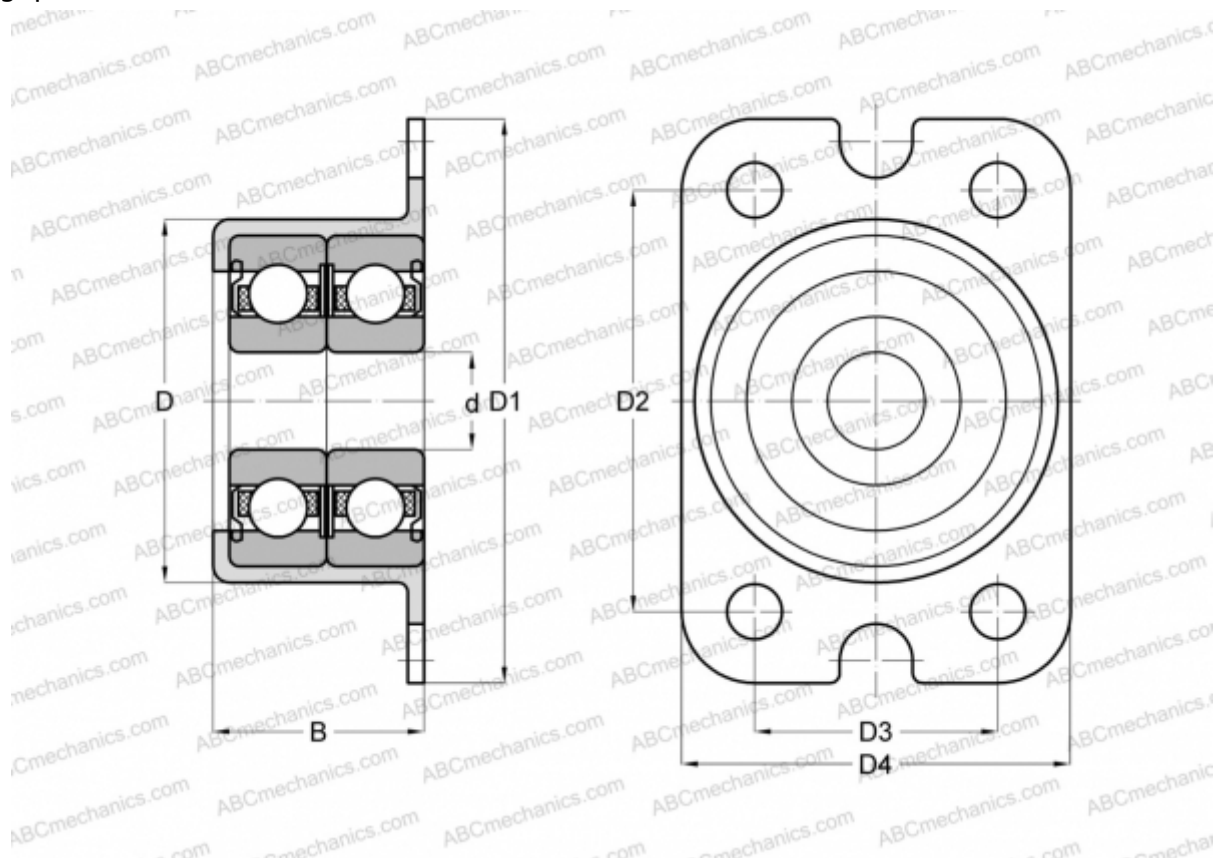


## ZKLR1035-2Z INA

Axial angular contact ball bearing

TYPE: Ball bearings, Axial angular contact ball bearing, Unit, Series ZKLR, double direction, with flange, gap seals on both side



### Technical specification

#### DIMENSIONS, MM

d	10,000
D	28,140
D1	35,000
D2	26,000
D3	26,000
D4	35,000
B	17,500

**MANUFACTURER** [INA](#)

#### CALCULATION DATA

Basic dynamic load rating, C	7,400 kN
Basic static load rating, Co	3,600 kN
Limiting speed	5100 r/min

#### ASSOCIATED PRODUCTS

ZM10