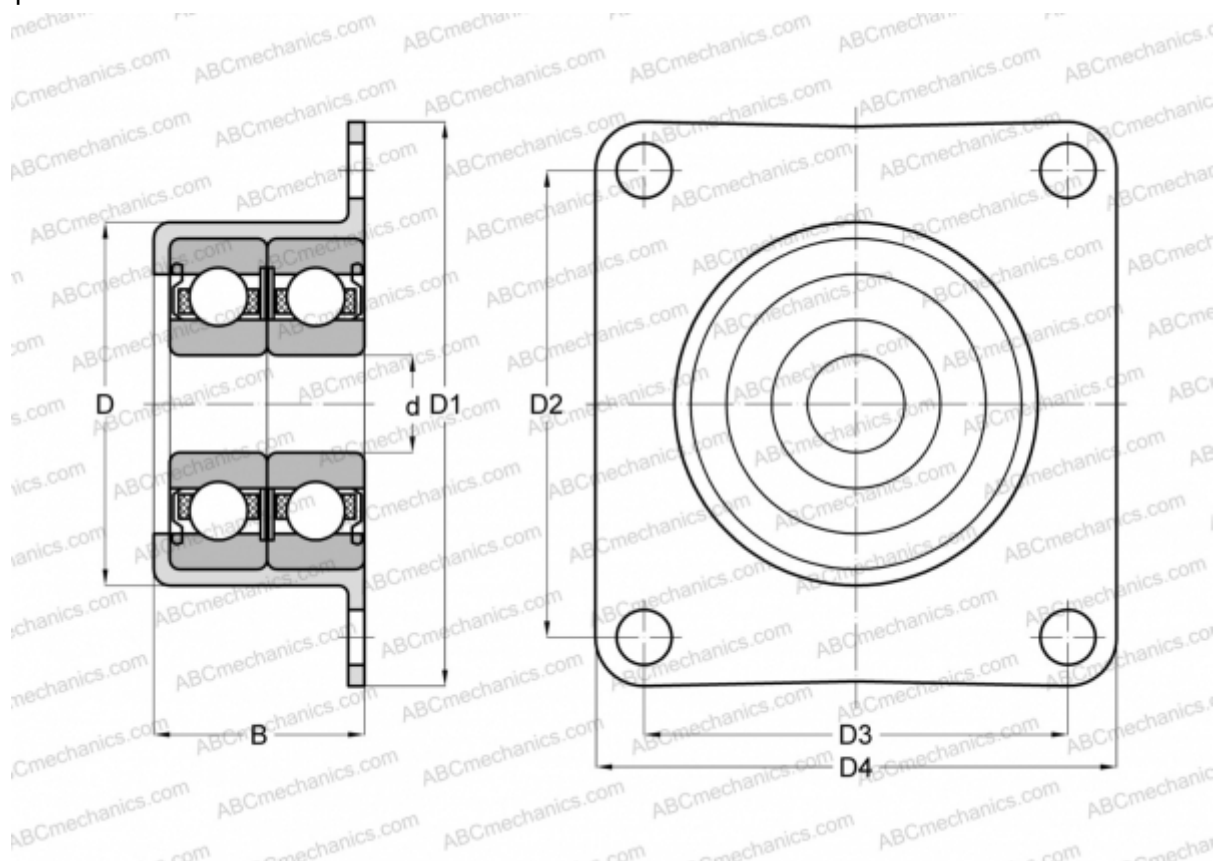


ZKLR1244-2RS INA

Axial angular contact ball bearing

TYPE: Ball bearings, Axial angular contact ball bearing, Unit, Series ZKLR, double direction, with flange, lip seals on both side



Technical specification

DIMENSIONS, MM

d	12,000
D	35,450
D1	50,000
D2	38,000
D3	32,000
D4	44,000
B	22,000

MANUFACTURER

[INA](#)

CALCULATION DATA

Basic dynamic load rating, C	13,600 kN
Basic static load rating, Co	8,500 kN
Limiting speed	3700 r/min

ASSOCIATED PRODUCTS

ZM12