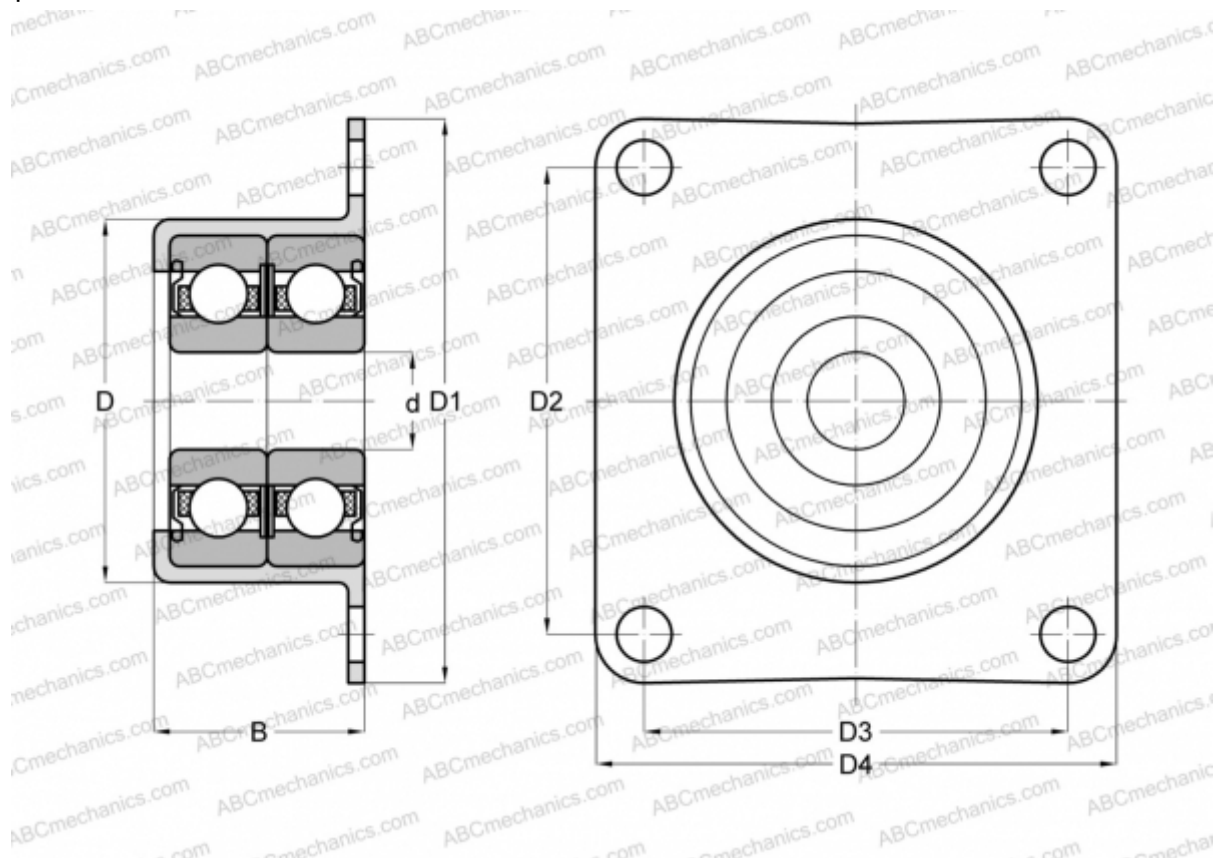


## ZKLR1547-2RS INA

Axial angular contact ball bearing

TYPE: Ball bearings, Axial angular contact ball bearing, Unit, Series ZKLR, double direction, with flange, lip seals on both side



### Technical specification

#### DIMENSIONS, MM

d	15,000
D	38,450
D1	51,000
D2	39,000
D3	35,000
D4	47,000
B	24,000

**MANUFACTURER** [INA](#)

#### CALCULATION DATA

Basic dynamic load rating, C	16,700 kN
Basic static load rating, Co	10,700 kN
Limiting speed	3400 r/min

#### ASSOCIATED PRODUCTS

ZM15