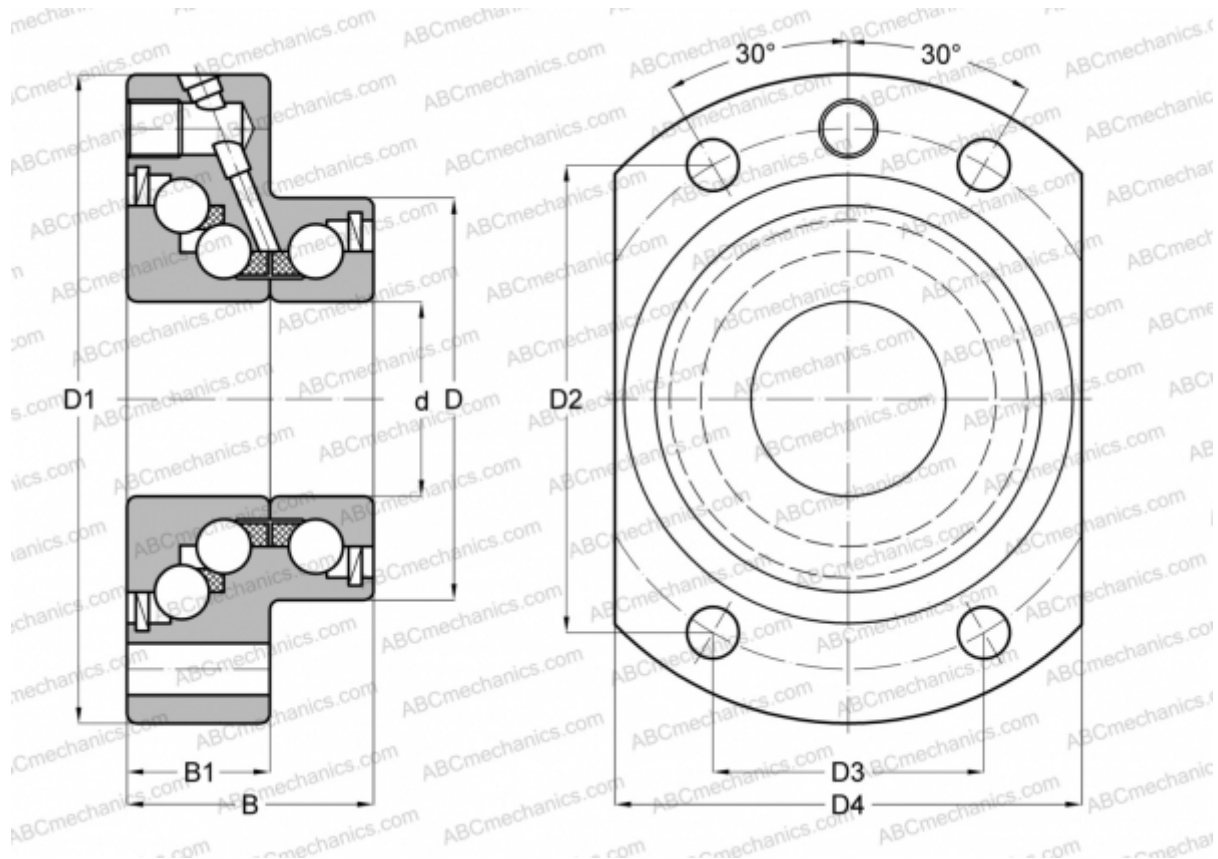


DKLFA30100-2RS INA

Axial angular contact ball bearing

TYPE: Ball bearings, Axial angular contact ball bearing, Unit, Series DKLFA, double direction, with flange, lip seals on both side



Technical specification

DIMENSIONS, MM

d	30,000
D	62,000
D1	100,000
D4	72,000
B	38,000
B1	22,000

MANUFACTURER

[INA](#)

CALCULATION DATA

Basic dynamic load rating, C	29,000 kN
Basic static load rating, Co	64,000 kN
Limiting speed	1800 r/min

ASSOCIATED PRODUCTS

AM30, ZMA30/52, ZM35