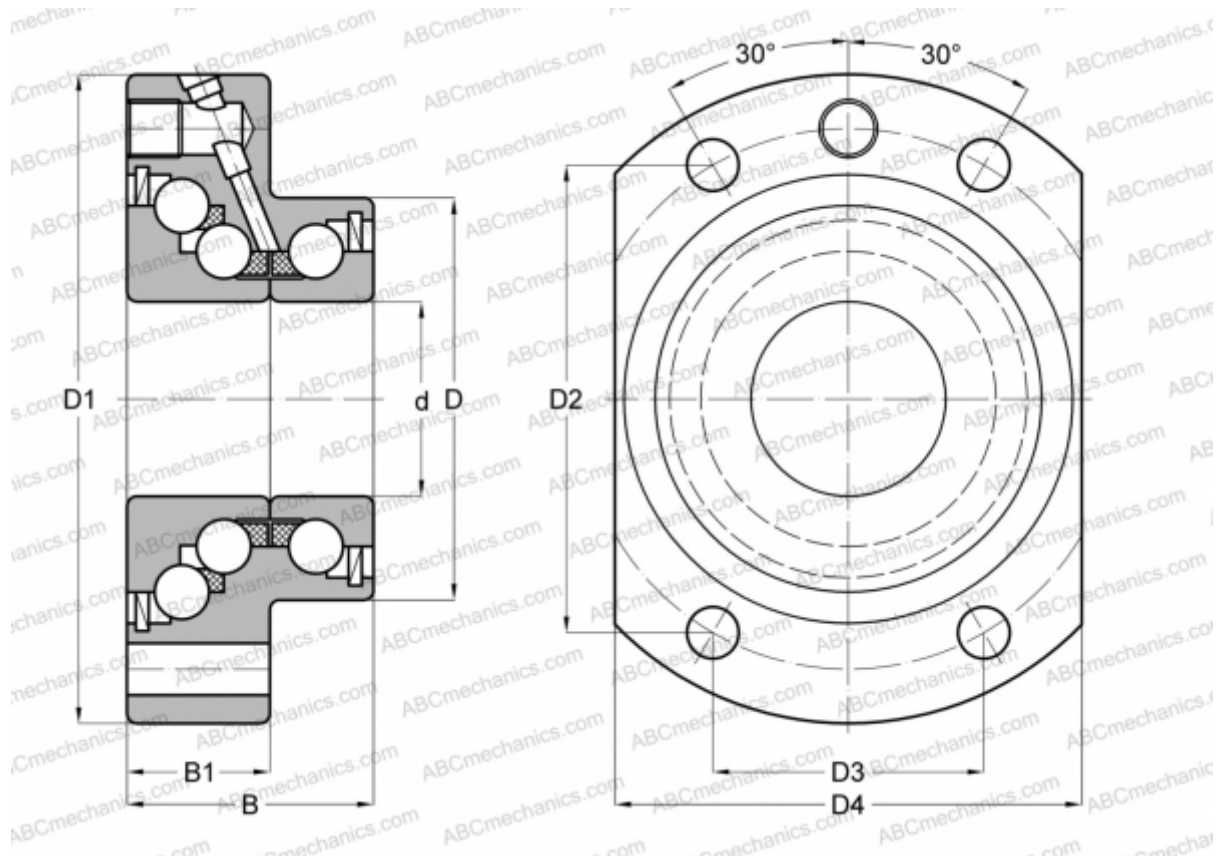


DKLFA40140-2RS INA

Axial angular contact ball bearing

TYPE: Ball bearings, Axial angular contact ball bearing, Unit, Series DKLFA, double direction, with flange, lip seals on both side



Technical specification

DIMENSIONS, MM

d	40,000
D	90,000
D1	140,000
D4	110,000
B	60,000
B1	35,000

MANUFACTURER

[INA](#)

CALCULATION DATA

Basic dynamic load rating, C	72,000 kN
Basic static load rating, Co	149,000 kN
Limiting speed	1200 r/min

ASSOCIATED PRODUCTS

AM40/85