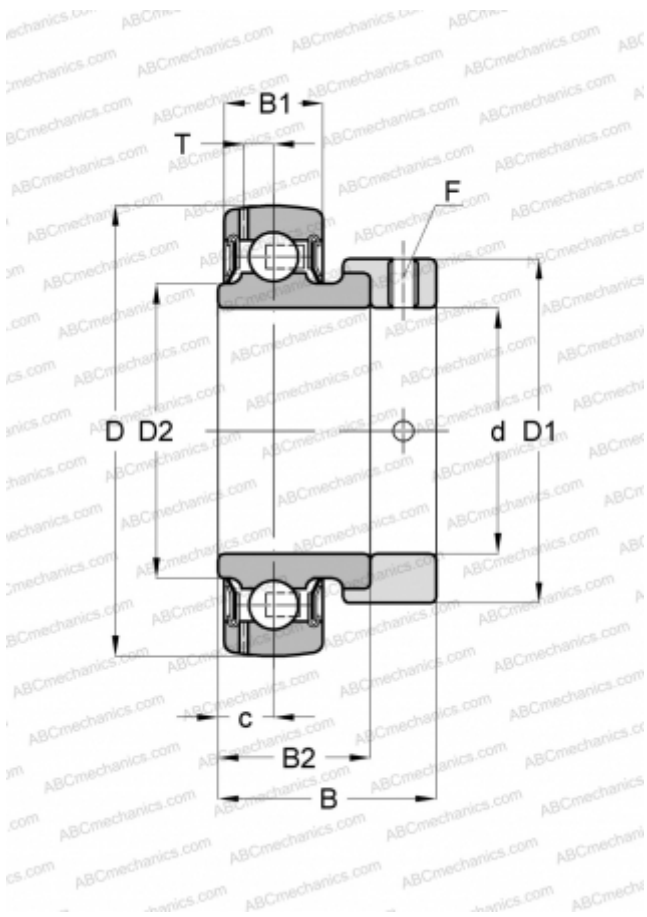


GRAE12-NPP-B ABC

Insert bearings

TYPE: Ball bearings, Radial insert bearings, With eccentric locking collar, Spherical outer ring, Seals on both side, P seal, relubrication



Technical specification

DIMENSIONS, MM

d	12,000
D	40,000
B	28,600
B1	12,000
B2	19,000

MANUFACTURER

[ABC](#)

INTERCHANGE

ASAHI	KH 201 AE
INA	GRAE12-NPP-B
AMI	KH201
NTN	AEL201
NSK	EN201S
FYH	SA201
KOYO	SA201
IPTCI	SA201
PEER	FH201
NEUTRAL	UE201
SNR	ES201G2