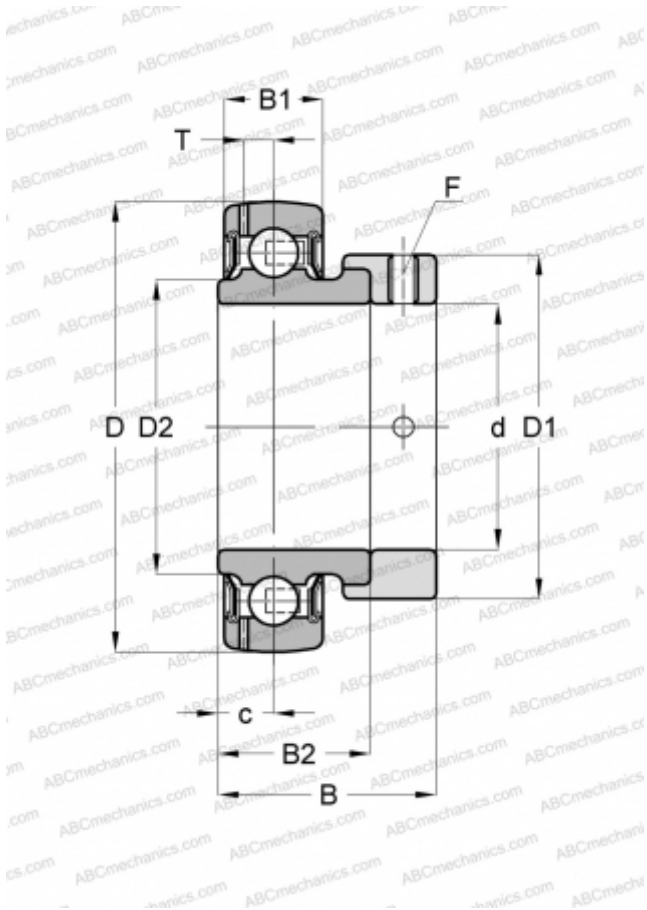


## KH 201 AE ASAHI

Insert bearings

TYPE: Ball bearings, Radial insert bearings, With eccentric locking collar, Spherical outer ring, Seals on both side, P seal, relubrication



### Technical specification

#### DIMENSIONS, MM

|    |         |
|----|---------|
| d  | 12,000  |
| D  | 40,000  |
| D1 | 28,600  |
| B  | 28,600  |
| B1 | 12,000  |
| B2 | 19,100  |
| c  | 6,500   |
| F  | M6x0.75 |

#### MANUFACTURER

[ASAHI](#)

#### INTERCHANGE

|         |                              |
|---------|------------------------------|
| ABC     | <a href="#">GRAE12-NPP-B</a> |
| INA     | <a href="#">GRAE12-NPP-B</a> |
| AMI     | <a href="#">KH201</a>        |
| NTN     | <a href="#">AEL201</a>       |
| NSK     | <a href="#">EN201S</a>       |
| FYH     | <a href="#">SA201</a>        |
| KOYO    | <a href="#">SA201</a>        |
| IPTCI   | <a href="#">SA201</a>        |
| PEER    | <a href="#">FH201</a>        |
| NEUTRAL | <a href="#">UE201</a>        |
| SNR     | <a href="#">ES201G2</a>      |