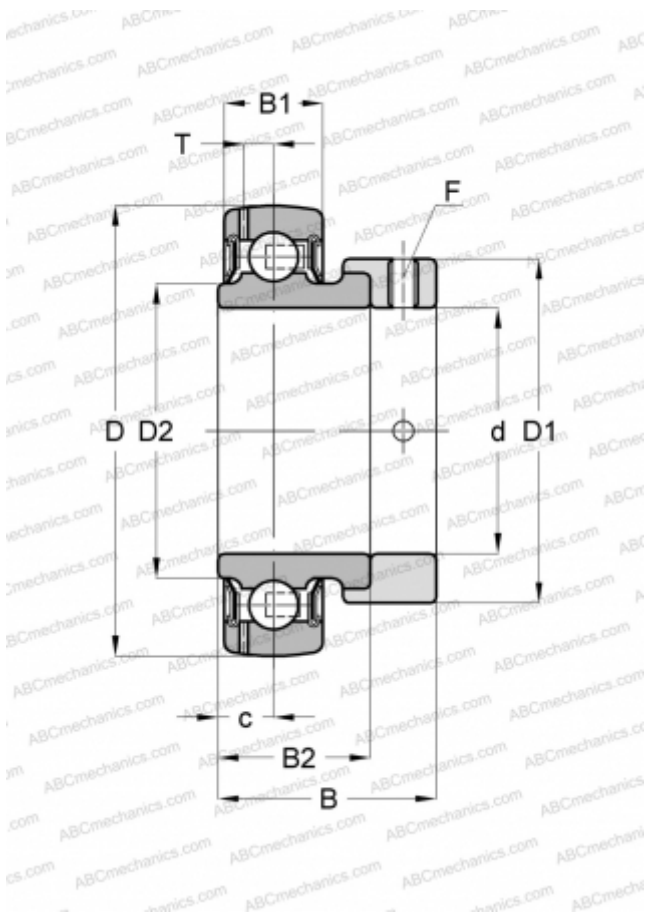


## GRAE12-NPP-B INA

Insert bearings

TYPE: Ball bearings, Radial insert bearings, With eccentric locking collar, Spherical outer ring, Seals on both side, P seal, relubrication



### DIMENSIONS, MM

d	12,000
D	40,000
D1	28,000
D2	23,000
B	28,600
B1	12,000
B2	19,000
c	6,500

### DIMENSIONS, MM

T	3,400
F	3

### MANUFACTURER

[INA](#)

### INTERCHANGE

ABC	<a href="#">GRAE12-NPP-B</a>
ASAHI	<a href="#">KH 201 AE</a>
AMI	<a href="#">KH201</a>
NTN	<a href="#">AEL201</a>
NSK	<a href="#">EN201S</a>
FYH	<a href="#">SA201</a>
KOYO	<a href="#">SA201</a>
IPTCI	<a href="#">SA201</a>
PEER	<a href="#">FH201</a>
NEUTRAL	<a href="#">UE201</a>
SNR	<a href="#">ES201G2</a>

### CALCULATION DATA

Basic dynamic load rating, C	9,800 kN
Basic static load rating, Co	4,750 kN
Operating temperature min	-20 °C
Operating temperature max	120 °C

### REPLACES

GRAE12-XL-NPP-B