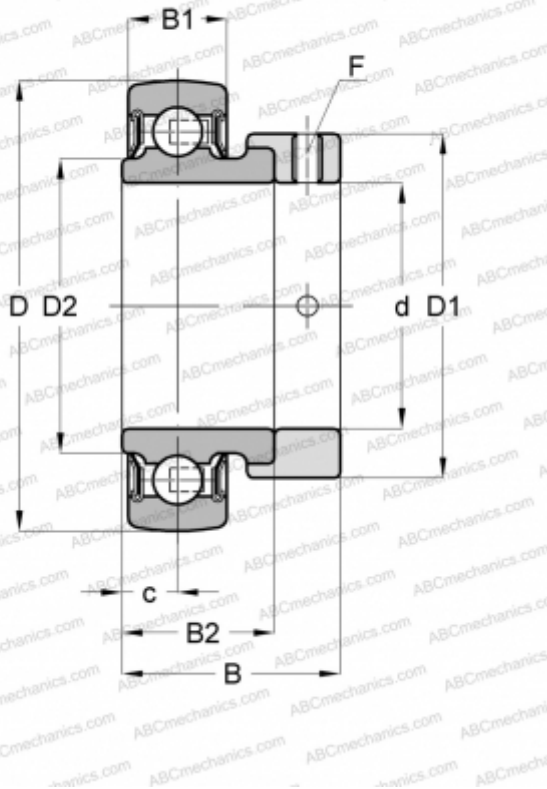


RALE25-NPP-B INA

Insert bearings

TYPE: Ball bearings, Radial insert bearings, With eccentric locking collar, Spherical outer ring, Seals on both side, P seal, without re-relubrication



Technical specification

DIMENSIONS, MM

d	25,000
D	47,000
D1	36,000
D2	30,000
B	25,500
B1	12,000
B2	17,500
c	6,000
F	2.5

MANUFACTURER

[INA](#)

CALCULATION DATA

Basic dynamic load rating, C	10,100 kN
Basic static load rating, Co	5,900 kN
Operating temperature min	-20 °C
Operating temperature max	120 °C

REPLACES

RALE25-XL-NPP-B