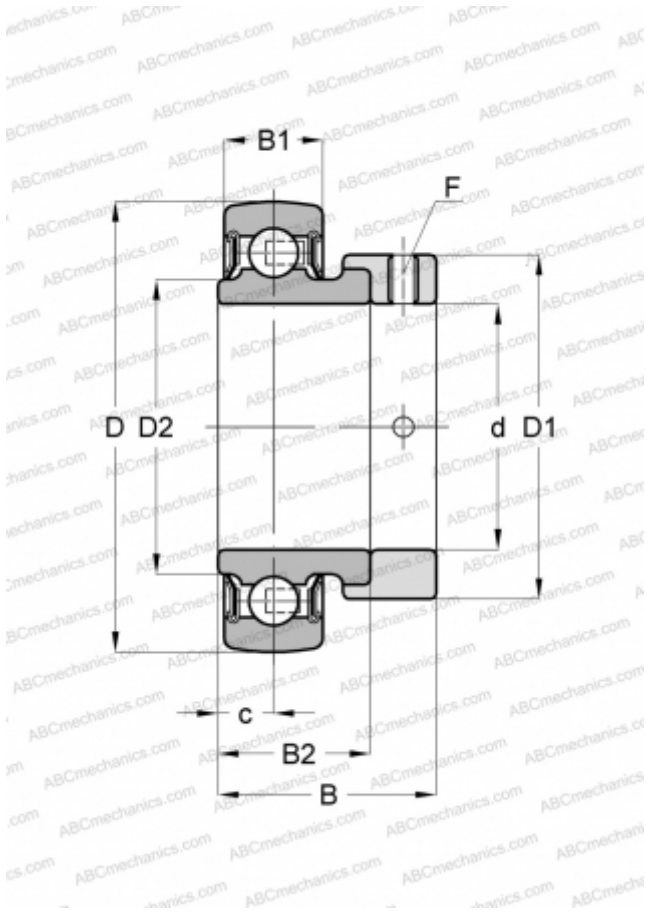


## RAE35-NPP-B INA

Insert bearings

TYPE: Ball bearings, Radial insert bearings, With eccentric locking collar, Spherical outer ring, Seals on both side, P seal, without re-relubrication



### Technical specification

#### DIMENSIONS, MM

d	35,000
D	72,000
D1	51,000
D2	44,600
B	39,000
B1	19,000
B2	25,400
c	9,500
F	5

#### MANUFACTURER

[INA](#)

#### CALCULATION DATA

Basic dynamic load rating, C	25,500 kN
Basic static load rating, Co	15,300 kN
Operating temperature min	-20 °C
Operating temperature max	120 °C

#### REPLACES

RAE35-XL-NPP-B