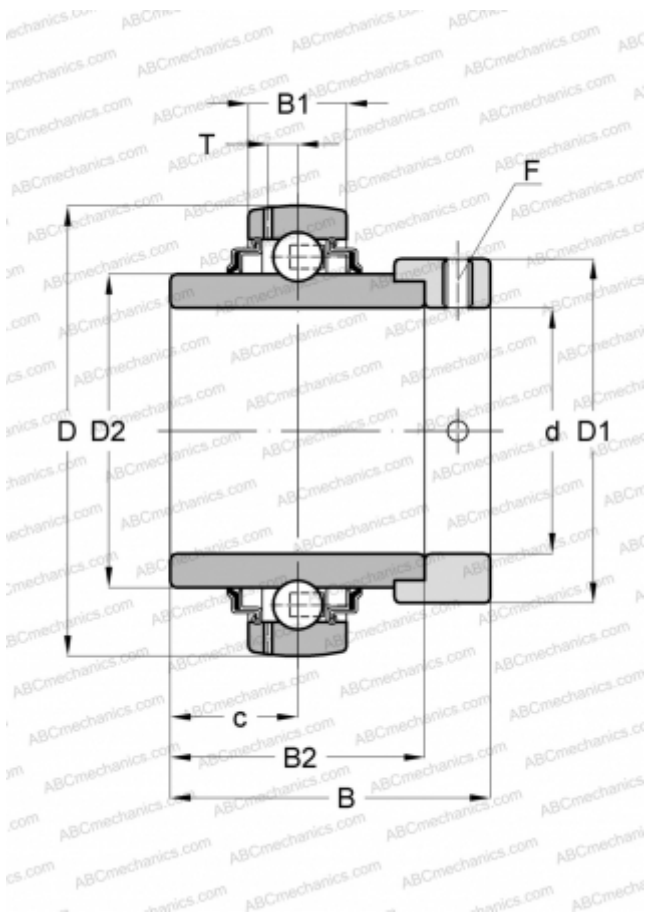


## GE40-KRR-B INA

Insert bearings

TYPE: Ball bearings, Radial insert bearings, With eccentric locking collar, Spherical outer ring, Seals on both side, R seal, relubrication



### Technical specification

#### DIMENSIONS, MM

d	40,000
D	80,000
D1	58,000
B	56,500
B1	21,000
B2	42,900
c	21,400
T	6,400
F	5

#### MANUFACTURER

[INA](#)

#### INTERCHANGE

ABC	<a href="#">GE40-KRR-B</a>
ASAHI	<a href="#">UG 208+ER</a>
SKF	<a href="#">YEL 208-2F</a>
SNR	<a href="#">EX208G2</a>
SLB	<a href="#">UEL208</a>
FYH	<a href="#">NA208</a>
NTN	<a href="#">UEL 208 D1 W3</a>

#### CALCULATION DATA

Basic dynamic load rating, C	32,500 kN
Basic static load rating, Co	19,800 kN
Operating temperature min	-20 °C
Operating temperature max	120 °C

#### REPLACES

GE40-XL-KRR-B