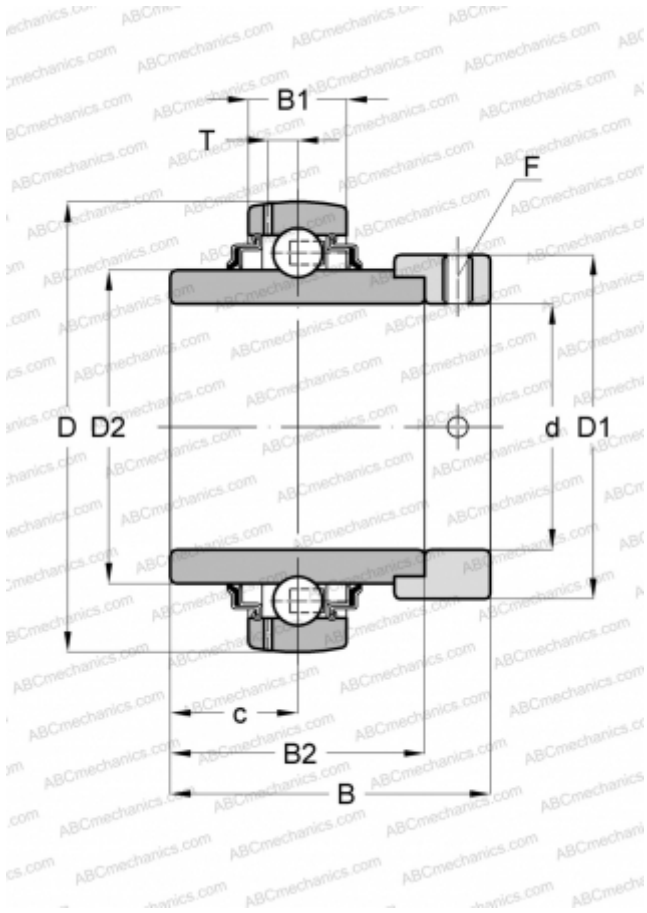


## GE60-KRR-B ABC

Insert bearings

TYPE: Ball bearings, Radial insert bearings, With eccentric locking collar, Spherical outer ring, Seals on both side, R seal, relubrication



### Technical specification

#### DIMENSIONS, MM

d	60,000
D	110,000
B	77,900
B1	24,000
B2	61,900

#### MANUFACTURER

[ABC](#)

#### INTERCHANGE

ASAHI	<a href="#">UG 212+ER</a>
SKF	<a href="#">YEL 212-2F</a>
INA	<a href="#">GE60-KRR-B</a>
SNR	<a href="#">EX212G2</a>
SLB	<a href="#">UEL212</a>
FYH	<a href="#">NA212</a>
NTN	<a href="#">UEL 212 D1 W3</a>