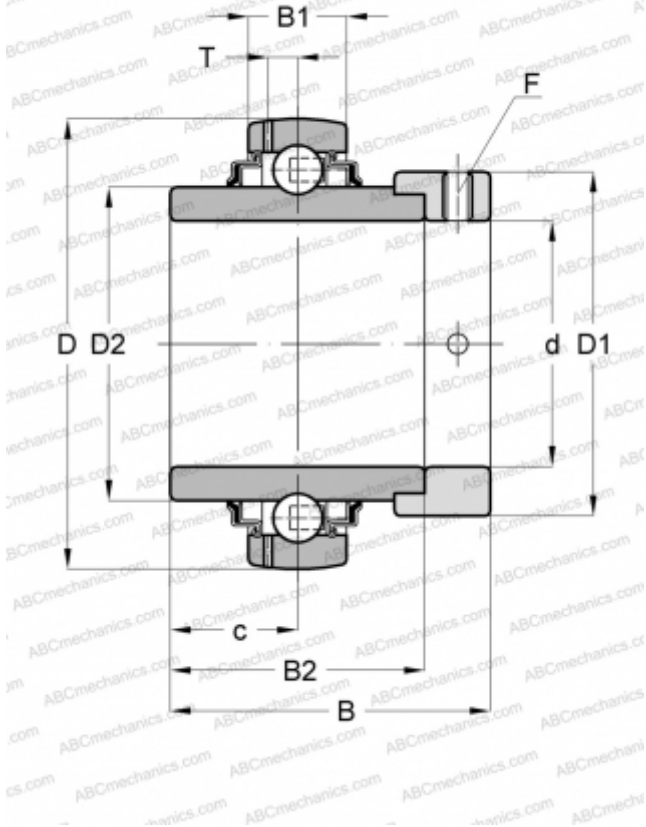


## GE30-KRR-B-FA101 INA

Insert bearings

TYPE: Ball bearings, Radial insert bearings, With eccentric locking collar, Spherical outer ring, Seals on both side, R seal, relubrication, for high and low temperatures (-40+180)



### Technical specification

#### DIMENSIONS, MM

d	30,000
D	62,000
D1	44,000
B	48,500
B1	18,000
B2	36,500
c	18,300
T	4,700
F	4

#### MANUFACTURER

[INA](#)

#### CALCULATION DATA

Basic dynamic load rating, C	19,500 kN
Basic static load rating, Co	11,300 kN
Operating temperature min	-40 °C
Operating temperature max	180 °C

#### REPLACES

GE30-XL-KRR-B-FA101