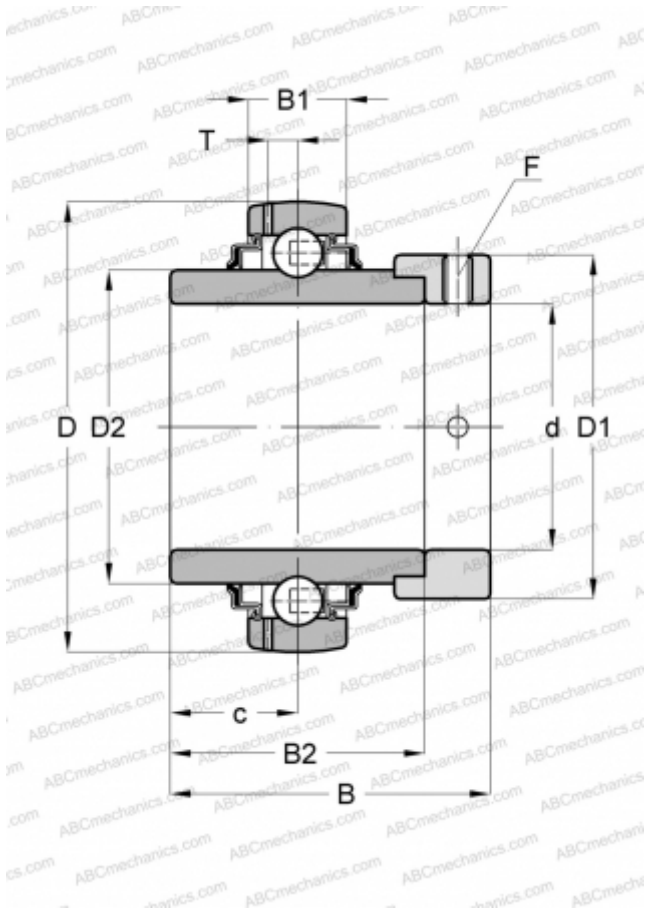


GE80-KRR-B-AH01-FA164 INA

Insert bearings

TYPE: Ball bearings, Radial insert bearings, With eccentric locking collar, Spherical outer ring, Seals on both side, R seal, relubrication, for high temperatures (to +250)



Technical specification

DIMENSIONS, MM

d	80,000
D	140,000
D1	108,000
B	70,700
B1	30,000
B2	53,200
c	23,400
T	8,800
F	6

MANUFACTURER

[INA](#)

CALCULATION DATA

Basic dynamic load rating, C	72,000 kN
Basic static load rating, Co	54,000 kN
Operating temperature min	150 °C
Operating temperature max	250 °C

REPLACES

GE80-XL-KRR-B-AH01-FA164