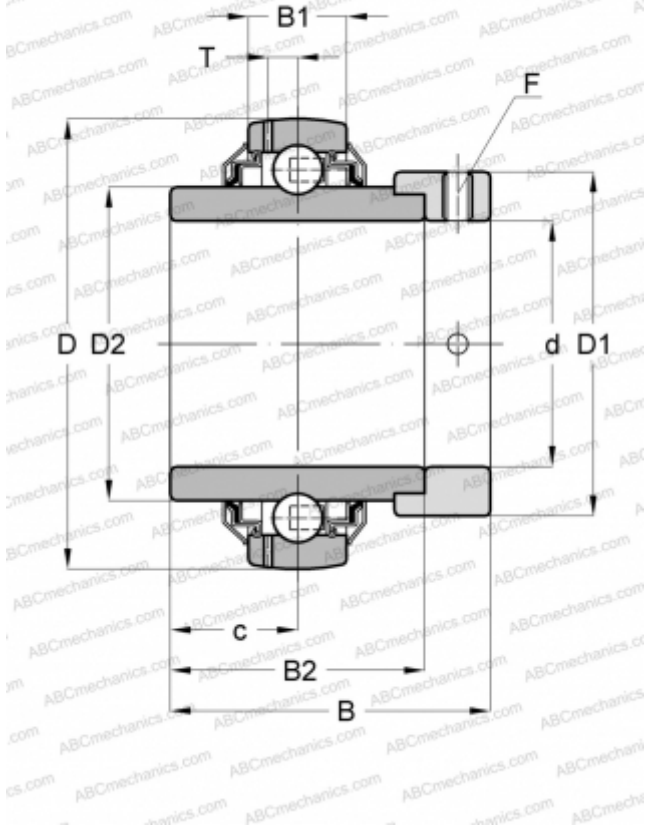


GE30-KRR-B-2C INA

Insert bearings

TYPE: Ball bearings, Radial insert bearings, With eccentric locking collar, Spherical outer ring, Seals on both side, R seal, relubrication, flinger shields



Technical specification

DIMENSIONS, MM

| | |
|----|--------|
| d | 30,000 |
| D | 62,000 |
| D1 | 44,000 |
| B | 48,500 |
| B1 | 18,000 |
| B2 | 36,500 |
| c | 18,300 |
| T | 4,700 |
| F | 4 |

MANUFACTURER

[INA](#)

CALCULATION DATA

| | |
|------------------------------|-----------|
| Basic dynamic load rating, C | 19,500 kN |
| Basic static load rating, Co | 11,300 kN |
| Operating temperature min | -20 °C |
| Operating temperature max | 120 °C |

REPLACES

GE30-XL-KRR-B-2C