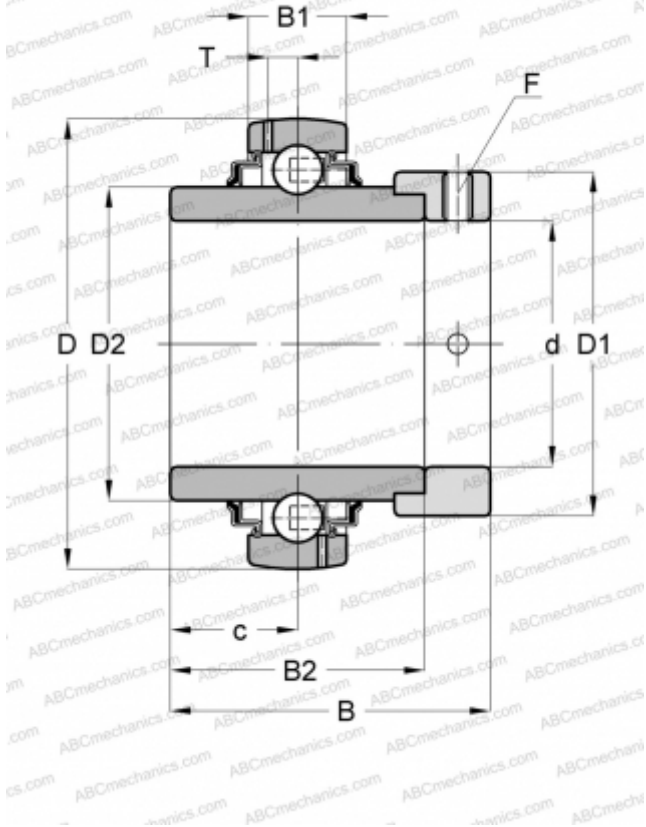


UGW 202-9+ER ABC

Insert bearings

TYPE: Ball bearings, Radial insert bearings, With eccentric locking collar, Spherical outer ring, Seals on both side, R seal, relubrication, inch size



Technical specification

DIMENSIONS, MM

d	14,287
D	40,003
D1	28,575
B	37,300
B1	15,011
B2	27,780
c	5,953
T	3,988

MANUFACTURER

[ABC](#)

INTERCHANGE

ASAHI

[UGW 202-9+ER](#)