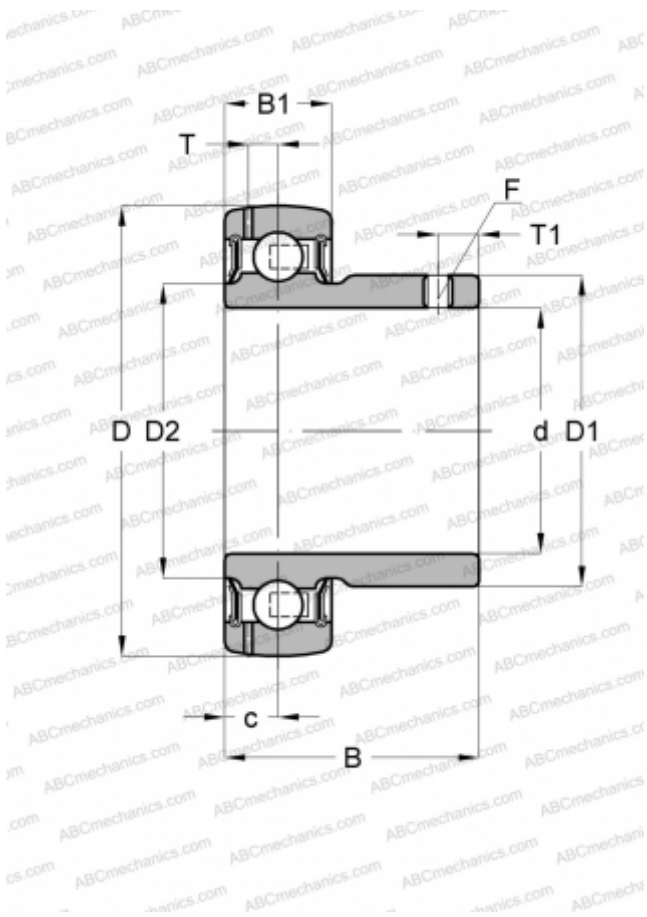


## B 1 ASAHI

Insert bearings

TYPE: Ball bearings, Radial insert bearings, Grub screw to inner ring, Spherical outer ring, Seals on both side, P seal, relubrication



### Technical specification

#### DIMENSIONS, MM

d	12,000
D	40,000
D1	24,700
B	22,000
B1	12,000
c	6,000
T1	4,000
F	M5 x 0.8

#### MANUFACTURER

[ASAHI](#)

#### INTERCHANGE

ABC	<a href="#">GAY12-NPP-B</a>
INA	<a href="#">GAY12-NPP-B</a>
SNR	<a href="#">US201G2</a>
SLB	<a href="#">SB 201</a>
FYH	<a href="#">SB 201</a>
NTN	<a href="#">AS 201</a>