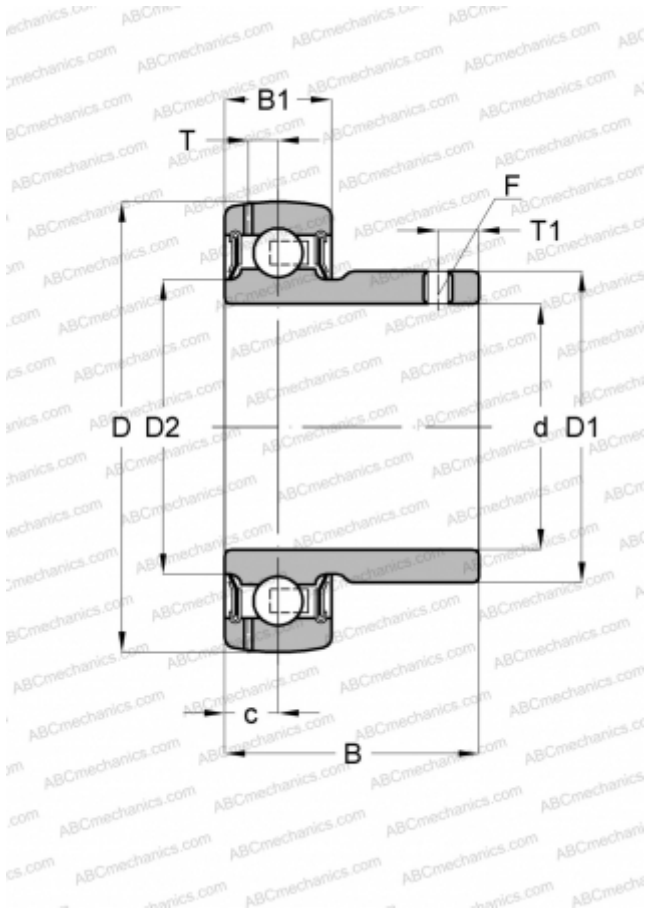


## GAY15-NPP-B ABC

Insert bearings

TYPE: Ball bearings, Radial insert bearings, Grub screw to inner ring, Spherical outer ring, Seals on both side, P seal, relubrication



### Technical specification

#### DIMENSIONS, MM

d	15,000
D	40,000
D1	23,900
D2	22,900
B	22,000
B1	12,000
c	6,000
T	3,400
T1	4,000
F	2.5

#### MANUFACTURER

[ABC](#)

#### INTERCHANGE

ASAHI	<a href="#">B 2</a>
INA	<a href="#">GAY15-NPP-B</a>
SNR	<a href="#">US202G2</a>
SLB	<a href="#">SB 202</a>
FYH	<a href="#">SB 202</a>
NTN	<a href="#">AS 202</a>