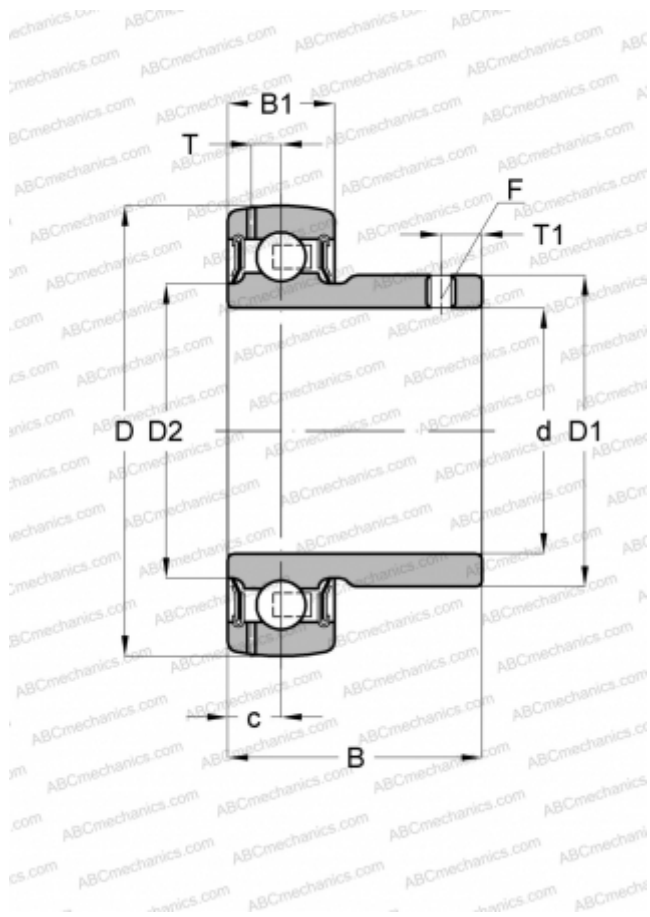


B 2 ASAHI

Insert bearings

TYPE: Ball bearings, Radial insert bearings, Grub screw to inner ring, Spherical outer ring, Seals on both side, P seal, relubrication



Technical specification

DIMENSIONS, MM

d	15,000
D	40,000
D1	24,700
B	22,000
B1	12,000
c	6,000
T1	4,000
F	M5 x 0.8

MANUFACTURER

[ASAHI](#)

INTERCHANGE

ABC	GAY15-NPP-B
INA	GAY15-NPP-B
SNR	US202G2
SLB	SB 202
FYH	SB 202
NTN	AS 202