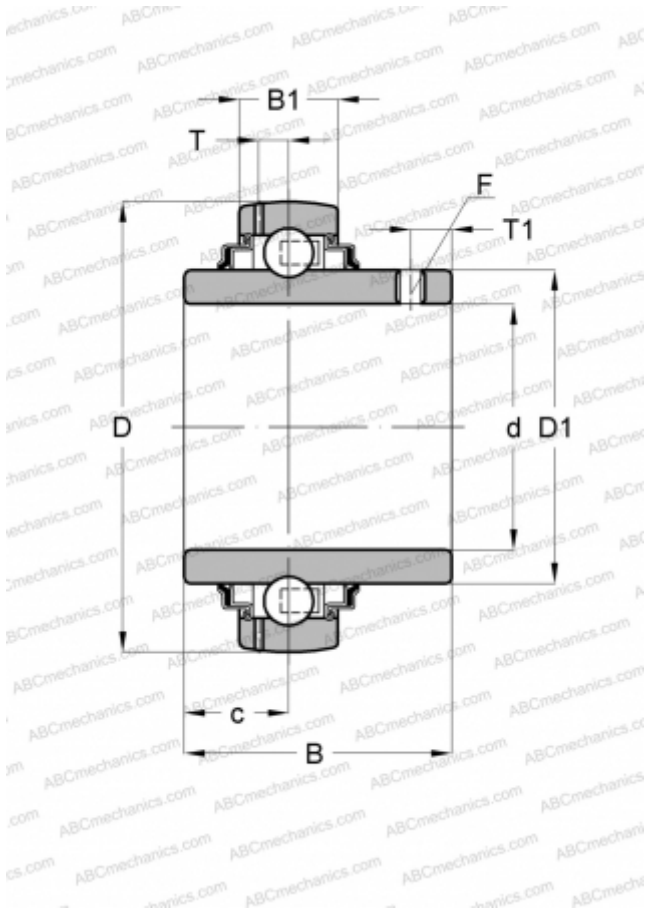


GYE12-KRR-B INA

Insert bearings

TYPE: Ball bearings, Radial insert bearings, Grub screw to inner ring, Spherical outer ring, Seals on both side, R seal, relubrication



Technical specification

DIMENSIONS, MM

| | |
|----|--------|
| d | 12,000 |
| D | 40,000 |
| D1 | 23,900 |
| B | 27,400 |
| B1 | 12,000 |
| c | 11,500 |
| T | 3,400 |
| T1 | 4,000 |
| F | 2.5 |

MANUFACTURER

[INA](#)

INTERCHANGE

| | |
|-------|-------------------------------|
| ABC | UCW 201 |
| SKF | YAR 203/12-2F |
| ASAHI | UCW 201 |
| FKL | LE 203 12 2F |

CALCULATION DATA

| | |
|------------------------------|----------|
| Basic dynamic load rating, C | 9,800 kN |
| Basic static load rating, Co | 4,750 kN |
| Operating temperature min | -20 °C |
| Operating temperature max | 120 °C |

REPLACES

GYE12-XL-KRR-B