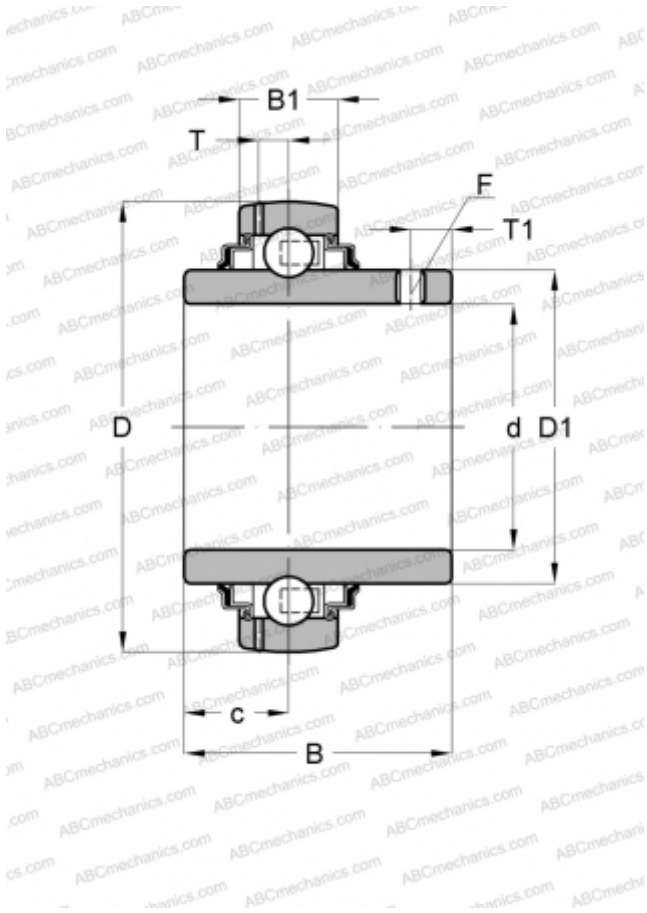


YAR 203/12-2F SKF

Insert bearings

TYPE: Ball bearings, Radial insert bearings, Grub screw to inner ring, Spherical outer ring, Seals on both side, R seal, relubrication



Technical specification

DIMENSIONS, MM

d	12,000
D	40,000
D1	24,200
B	27,400
C	12,000

MANUFACTURER

[SKF](#)

INTERCHANGE

ABC	UCW 201
INA	GYE12-KRR-B
ASAHI	UCW 201
FKL	LE 203 12 2F

CALCULATION DATA

Basic dynamic load rating, C	9,560 kN
Basic static load rating, Co	4,750 kN
Fatigue load limit, Pu	0,200 kN
Limiting speed	9500 r/min