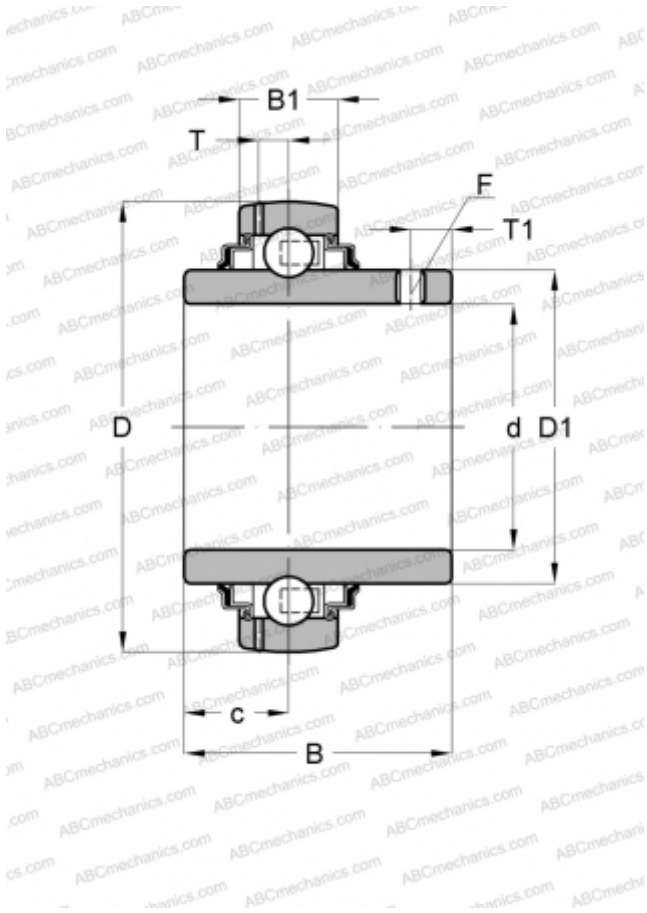


## UCW 201 ASAHI

Insert bearings

TYPE: Ball bearings, Radial insert bearings, Grub screw to inner ring, Spherical outer ring, Seals on both side, R seal, relubrication



### Technical specification

#### DIMENSIONS, MM

d	12,000
D	40,000
D1	24,700
B	26,000
B1	15,000
c	10,000
T	4,000
T1	4,000
F	M5 x 0.8

#### MANUFACTURER

[ASAHI](#)

#### INTERCHANGE

ABC	<a href="#">UCW 201</a>
INA	<a href="#">GYE12-KRR-B</a>
SKF	<a href="#">YAR 203/12-2F</a>
FKL	<a href="#">LE 203 12 2F</a>